

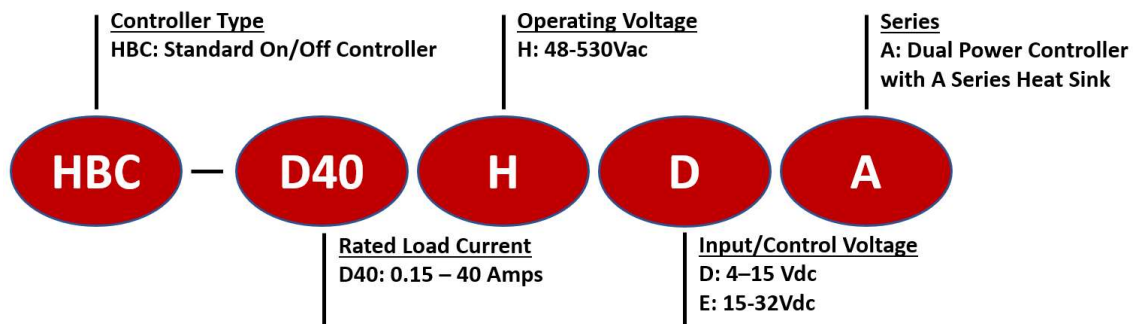


Dual Series Two-Pole 40 Amp Solid State Power Controller



- SCR output, two-pole DIN mount solid-state relay Power Controller
- Two independently controlled AC output solid-state relays in one package
- Output ratings up-to 40 amps per-pole @ 40°C ambient temperature
- Thermally efficient heat sink to maximize overall product life expectancy
- Direct-bond copper (DBC) substrate for superior thermal performance
- Direct-power lead-frame design reduces solder joints and enhances reliability
- MTBF > 7 million hours (>800 years)
- EMC compliant, level 3
- Agency approvals; UL, CSA, VDE/TUV, and CE

Series Nomenclature



Output Specifications

Part Number: HBC -	D40HDA	D40HEA
Operating Voltage (Vrms; 47-440Hz)	48-530	48-530
Load Current Range (Amps RMS Per--Pole) *	.15 - 40	.15 - 40
Transient Overvoltage (Vpk)	1200	1200
Max. Surge Current (Apk; 50/60Hz)	597/625	597/625
Max. On-State Voltage Drop (Vrms)	1.15	1.15
Max I ² T for Fusing (A ² S; 50/60Hz)	1770/1629	1770/1629
Max. Off-State Leakage Current (mArms)	1	1
Min. Power Factor with Max. Load	0.5	0.5

* 40 amp maximum load current rating is the total allowable power controller load current. E.g. 20 amps per channel, 30 amps through channel one and 10 amps through channel two, etc.



Dual Series Two-Pole 40 Amp Solid State Power Controller

Input Specifications

Part Number:	HBC-D2440HDA	HBC-D2440HEA
Control Voltage Range	4-15Vdc	15-32Vdc
Minimum Turn-On Voltage	4Vdc	15Vdc
Must Turn-Off Voltage	1Vdc	1Vdc
Input Current Range (mA)	10 – 46	10 - 20
Nominal Input Impedance	300 Ohms	1500 Ohms
Maximum Turn-On / Turn-Off Time (msec)	½ AC Cycle	½ AC Cycle

General Specifications

Description	Specification
Dielectric Strength (Input/Output/Heat Sink)	4,000 Vrms
Ambient Operating Temperature Range	-40 - +80 °C
Weight	0.75 lbs (340 g)
Solid State Relay Housing Material	UL94 V-0 Polymers
Heat Sink Material	Aluminum
Terminals	.25" Faston Terminals
MTBF (Mean Time Between Failures) @ 40°C ambient	~11 Million Hours (>1,300 years)
MTBF (Mean Time Between Failures) @ 60°C ambient	~7 Million Hours (>800 years)

Available Options

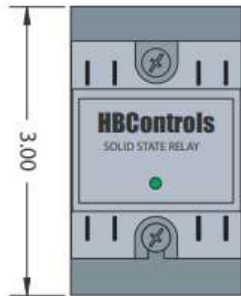
- 10 Random/Instantaneous turn-on (inductive or phase-control applications)
- 2 Four-pole configuration (two dual-output power controllers)
- 3 Six-pole configuration (three dual-output power controllers)
- TP Through-panel mounting
- PM Panel mounting
- ND Without DIN rail clip
- WH Wiring harness for multiple pole configurations

Note:

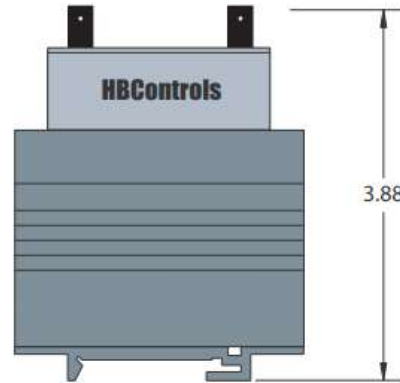
Quad output version (four independently controlled AC output solid-state relays) is also available upon request (-4P option)



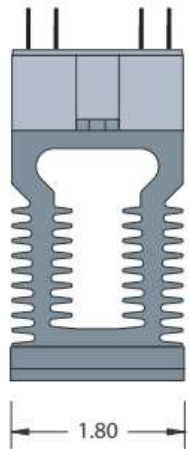
Dual Series Two-Pole 40 Amp Solid State Power Controller



Top View

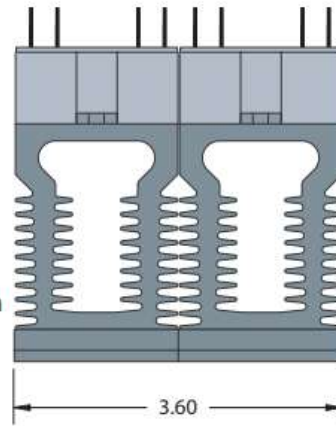


Side



Two Pole

-2 Option
4 Pole
Configuration



-3 Option
6 Pole
Configuration

