

# Components

BAND AND NOZZLE

## MB-1

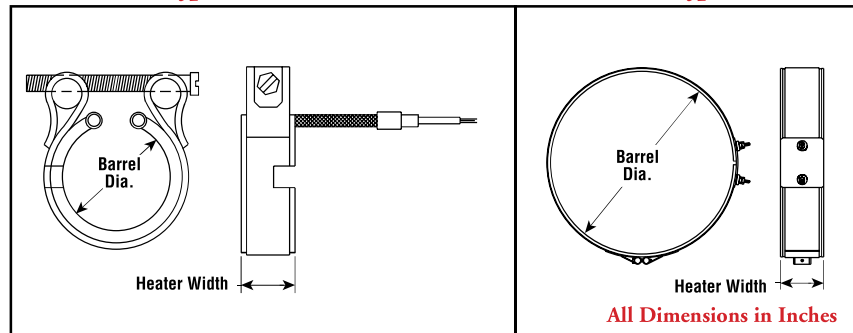
### One-Piece Mica Insulated Band Heater



- 1 - 6-1/8" Nozzle Dia.
- 100 - 300 Watts
- 120 and 240 Volt
- Up to 800°F Max. Sheath Temp.
- Up to 600°F Max. Barrel Temp.
- Type A Leads
- Heavy Duty Anti-torque Post Terminal (type P)

*Dimensions – Type A*

*Dimensions – Type P*



#### Applications

- Barrels and Dies of Plastic Molding Machines
- Extruders
- Autoclaves

#### Features

**Efficient Heat Transfer** is provided by high quality nickel chromium resistor wire wound on a select mica strip and enclosed in a die-formed aluminum coated steel sheath.

**Long-Term Durability** is assured by non-hygroscopic mica insulation.

**Uniform Fit** to  $\pm 1/16"$ .

**Type A Extra Flexible Stranded Nickel Leadwire** protected by means of a close-knit stainless steel braided sleeve. Standard length is 24" with 18" of braid.

**Heavy Duty Stainless Steel Anti-torque Post Terminals** — Standard is #10-24 threads, except for 1" wide units which have #6-32 threads.

**Reliable Performance and Quick Temperature Response.**

**One-Piece Construction** provides maximum nozzle coverage in tight spaces.

#### Specifications and Ordering Information

Watts	Volts	W/in <sup>2</sup>	Dimensions (In.)		Term.	Model	Stock	PCN	Wt. (Lbs.)
			Barrel Dia.	Heater Width					
175	240	30	15/16	2	A	<b>MBOR2A1A1</b>	<b>S</b>	<b>150009</b>	0.2
100	120	32	1	1	A	<b>MB1A1A1A1</b>	<b>S</b>	<b>150017</b>	0.2
150	120	32	1	1-1/2	A	MB1A1J1A1	NS	150033	0.2
100	240	32	1	1	A	MB1A1A1A2	NS	150025	0.2
150	240	32	1	1-1/2	A	MB1A1J1A2	NS	150041	0.2
200	120	42	1	1-1/2	A	MB1A1J1A3	NS	150463	0.2
200	240	42	1	1-1/2	A	MB1A1J1A4	NS	150471	0.2
150	120	48	1	1	A	MB1A1A1A3	NS	150447	0.2
100	120	48	1	1	L	MB1A1A1L1	NS	154018	0.5
150	240	48	1	1	A	MB1A1A1A4	NS	150455	0.2
250	120	50	1	3	A	MB1A3A1A1	NS	154157	0.5
250	240	50	1	3	L	MB1A3A1L2	NS	154181	0.5
125	120	58	1	1	A	MB1A1A1A5	NS	154034	0.5
125	120	58	1	1	L	MB1A1A1L3	NS	154050	0.5
125	240	58	1	1	A	MB1A1A1A6	NS	154042	0.5
150	240	19	1-1/4	2	A	MB1E2A1A1	NS	150498	0.3
150	120	31	1-1/4	1-1/4	A	<b>MB1E1E1A1</b>	<b>S</b>	<b>150068</b>	0.3
150	240	31	1-1/4	1-1/4	A	<b>MB1E1E1A2</b>	<b>S</b>	<b>150076</b>	0.3
200	240	34	1-1/4	1-1/2	A	MB1E1J1A1	NS	150480	0.3
100	120	41	1-1/4	5/8	A	MB1EOL1A1	NS	150050	0.3
175	240	43	1-1/4	1	L	MB1E1A1L4	NS	154261	0.5
150	240	35	1-3/8	1	A	MB1G1A1A1	NS	150084	0.3
300	240	35	1-3/8	2	A	MB1G2A1A1	NS	150519	0.3
150	120	42	1-3/8	1	A	MB1G1A1A2	NS	154376	0.5
275	240	42	1-3/8	1-1/2	A	MB1G1J1A1	NS	150501	0.3
100	120	27	1-1/2	1	A	MB1J1A1A5	NS	154499	0.5
100	240	27	1-1/2	1	A	MB1J1A1A6	NS	154501	0.5
200	120	28	1-1/2	1-1/2	A	MB1J1J1A1	NS	150113	0.4
200	240	28	1-1/2	1-1/2	A	MB1J1J1A2	NS	150121	0.4
350	240	29	1-1/2	3	A	MB1J3A1A1	NS	154739	0.5
150	120	32	1-1/2	1	A	<b>MB1J1A1A1</b>	<b>S</b>	<b>150092</b>	0.3
150	240	32	1-1/2	1	A	MB1J1A1A2	NS	150105	0.3
300	240	32	1-1/2	2	A	MB1J2A1P1	NS	150594	0.4
250	120	35	1-1/2	1-1/2	A	MB1J1J1A3	NS	150130	0.4
250	240	35	1-1/2	1-1/2	A	MB1J1J1A4	NS	150148	0.4
225	240	38	1-1/2	1-1/4	A	MB1J1E1A1	NS	150543	0.4
275	120	39	1-1/2	1-1/2	A	MB1J1J1A5	NS	150551	0.4
275	120	39	1-1/2	1-1/2	P	MB1J1J1P1	NS	150578	0.4
275	240	39	1-1/2	1-1/2	A	MB1J1J1A6	NS	150560	0.4

Note - Check factory for optional terminations and band styles.

# Components

## MB-1

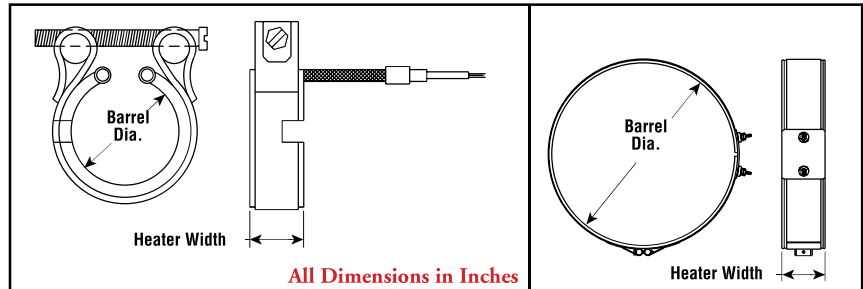
### One-Piece Mica Insulated Band Heater *(cont'd.)*



- 1 - 6-1/8" Nozzle Dia.
- 275 - 1000 Watts
- 120 and 240 Volt
- Up to 800°F Max. Sheath Temp.
- Up to 650°F Max. Barrel Temp.
- Type A Leads
- Heavy Duty Anti-torque Post Terminal (Type P)

*Dimensions – Type A*

*Dimensions – Type P*



#### Specifications and Ordering Information

Watts	Volts	W/In <sup>2</sup>	Dimensions (In.)		Term.	Model	Stock	PCN	Wt. (Lbs.)
			Barrel Dia.	Heater Width					
275	240	39	1-1/2	1-1/2	P	MB1J1J1P2	NS	150586	0.4
200	120	42	1-1/2	1	A	MB1J1A1A3	NS	150527	0.3
450	120	42	1-1/2	3	A	MB1J3A1A2	NS	154747	0.5
200	240	42	1-1/2	1	A	MB1J1A1A4	NS	150535	0.3
450	240	42	1-1/2	3	A	MB1J3A1A3	NS	154755	0.5
300	120	46	1-1/2	2	A	MB1J2A1A2	NS	154667	0.5
300	240	46	1-1/2	2	L	MB1J2A1L2	NS	154683	0.5
300	120	54	1-1/2	1-1/2	A	MB1J1J1A7	NS	154624	0.5
200	240	54	1-1/2	1	L	MB1J1A1L6	NS	154560	0.5
300	240	54	1-1/2	1-1/2	A	MB1J1J1A8	NS	154632	0.5
300	240	54	1-1/2	1-1/2	L	MB1J1J1L6	NS	154659	0.5
200	240	31	1-5/8	1-1/4	A	MB1L1E1A1	NS	150156	0.4
275	240	33	1-3/4	1-1/2	A	MB1N1J1A5	NS	150623	0.4
300	120	36	1-3/4	1-1/2	A	MB1N1J1A6	NS	150631	0.4
300	240	36	1-3/4	1-1/2	A	MB1N1J1A7	NS	150640	0.4
300	240	36	1-3/4	1-1/2	P	MB1N1J1P2	NS	150658	0.4
200	240	34	1-7/8	1	A	MB1Q1A1A1	NS	150201	0.4
250	240	27	2	1-1/2	P	<b>MB2A1J1P1</b>	<b>S</b>	<b>150210</b>	0.5
200	120	32	2	1	A	MB2A1A1A1	NS	150666	0.5
200	240	32	2	1	A	MB2A1A1A2	NS	150674	0.5
300	240	32	2	1-1/2	P	MB2A1J1P2	NS	150682	0.5
500	240	35	2	3	L	MB1N3A1L2	NS	154907	0.5
450	240	36	2	2	P	MB2A2A1P1	NS	150691	0.5
300	120	38	2	1-1/2	T1	MB2A1J1P3	NS	154990	0.5
200	240	38	2	1	L	MB2A1A1L4	NS	154966	0.5
600	240	38	2	3	L	MB2A3A1L2	NS	155053	0.5
200	120	30	2 1/8	1	A	<b>MB2C1A1A1</b>	<b>S</b>	<b>150228</b>	0.5
350	240	35	2 1/8	1-1/2	P	MB2C1J1P1	NS	150711	0.5
275	240	41	2 1/8	1	A	MB2C1A1A2	NS	150703	0.5
200	240	19	2-1/4	1-1/2	P	MB2E1J1P1	NS	150236	0.5
250	120	35	2-1/4	1	P	MB2E1A1P1	NS	150720	0.5
250	240	35	2-1/4	1	P	MB2E1A1P2	NS	150738	0.5
375	240	35	2-1/4	1-1/2	P	MB2E1J1P2	NS	150746	0.5
525	240	37	2-1/4	2	P	MB2E2A1P1	NS	150754	0.5
200	240	27	2-3/8	1	P	MB2G1A1P1	NS	150244	0.5
300	240	25	2-1/2	1-1/2	P	MB2J1J1P1	NS	150252	0.6
450	240	29	2-1/2	2	P	MB2J2A1P1	NS	150797	0.6
350	120	30	2-1/2	1-1/2	P	MB2J1J1P2	NS	150771	0.6
350	240	30	2-1/2	1-1/2	P	MB2J1J1P3	NS	150789	0.6
275	240	35	2-1/2	1	P	MB2J1A1P1	NS	150762	0.6
300	120	43	2-1/2	1	L	MB2J1A1L2	NS	155176	0.5
300	240	43	2-1/2	1	T1	MB2J1A1P2	NS	155192	0.5

**Stock Status:** S = stock NS = non-stock  
**To Order—**Specify model, PCN, volts, watts and quantity.  
**Note —** Watt densities shown are based on heated area of contact surface only.

# Components

BAND AND NOZZLE

## MB-1

### One-Piece Mica Insulated Band Heater *(cont'd.)*

*Specifications and Ordering Information (continued)*

Watts	Volts	W/In <sup>2</sup>	Dimensions (In.)		Term.	Model	Stock	PCN	Wt. (Lbs.)
			Barrel Dia.	Heater Width					
600	240	26	2-3/4	3	I	MB2N3A1L2	NS	155395	0.5
400	240	31	2-3/4	1-1/2	P	MB2N1J1P1	NS	150800	0.6
200	120	25	3	1	A	MB3A1A1A1	NS	155408	1
200	240	25	3	1	A	MB3A1A1A2	NS	155416	1
200	240	25	3	1	T1	MB3A1A1P4	NS	155459	1
700	120	28	3	3	T1	MB3A3A1P1	NS	155694	1
400	240	28	3	1-1/2	P	MB3A1J1P1	NS	150279	0.7
700	240	28	3	3	T1	MB3A3A1P2	NS	155707	1
500	240	29	3	2	T1	MB3A2A1P1	NS	155651	1
300	240	32	3	1	P	MB3A1A1P1	NS	150261	0.7
500	240	35	3	1-1/2	P	MB3A1J1P2	NS	150826	0.7
400	240	42	3	1	P	MB3A1A1P2	NS	150818	0.7
500	240	43	3	1-1/2	L	MB3A1J1L3	NS	155619	1
400	240	27	3-1/8	1-1/2	P	MB3C1J1P1	NS	150834	0.7
300	240	31	3-1/8	1	P	MB3C1A1P1	NS	150287	0.7
400	240	27	3-1/4	1-1/2	P	MB3E1J1P1	NS	150842	0.7
400	240	28	3-1/4	1-1/2	T1	MB3E1J1P1	NS	155740	1
500	240	29	3-1/4	2	A	MB3E2A1A1	NS	155758	1
600	240	27	3-1/2	2	P	MB3J2A1P1	NS	150869	0.8
400	240	28	3-1/2	1-1/2	A	MB3J1J1A2	NS	155811	1
400	240	28	3-1/2	1-1/2	A	MB3J1J1L2	NS	155838	1
400	240	28	3-1/2	1-1/2	T1	MB3J1J1P2	NS	155846	1
500	120	30	3-1/2	1-1/2	T1	MB3J1J1P3	NS	155854	1
500	240	30	3-1/2	1-1/2	P	<b>MB3J1J1P1</b>	<b>S</b>	<b>150295</b>	0.7
300	240	30	3-1/2	1	L	MB3J1A1L2	NS	155790	1
600	240	30	3-1/2	2	T1	MB3J2A1P1	NS	155862	1
700	240	40	3-3/4	1-1/2	P	MB3N1J1P1	NS	150877	0.8
500	120	20	4	2-1/2	T1	MB4A2J1P1	NS	155918	1
550	240	25	4	2	T1	MB4A2A1P1	NS	155897	1
500	240	27	4	1-1/2	P	<b>MB4B1J1P1</b>	<b>S</b>	<b>150308</b>	0.8
800	240	35	4	2	T1	MB4A2A1P2	NS	155900	1
400	240	37	4	1	T1	MB4A1A1P1	NS	155870	1
1000	240	39	4	2-1/2	T1	MB4A2J1P3	NS	155934	1
650	240	40	4	1-1/2	T1	MB4A1J1P2	NS	155889	1
350	240	28	4-1/2	1	T1	MB4J1A1P1	NS	155969	1
1000	240	30	4-1/2	2-1/2	T1	MB4J2AJP1	NS	155993	1
650	240	31	4-1/2	1-1/2	P	MB4J1J1P1	NS	150316	0.8
800	240	28	5	2	T1	MB5A2A1P1	NS	156064	1
700	240	33	5	1-1/2	T1	MB5A1J1P1	NS	156048	1
1000	240	45	5	1-1/2	T1	MB5E1J1P2	NS	156080	1
600	240	24	5-1/4	1-1/2	P	MB5E1J1P1	NS	150949	0.9
900	240	35	5-1/2	1-1/2	P	MB5J1J1P1	NS	150965	0.9
300	240	20	6	1	A	MB6A1A1A2	NS	156136	1
600	240	23	6	1-1/2	T1	MB6A1J1P1	NS	156160	1
1500	240	28	6	3	T1	MB6A3A1P2	NS	156208	1
1450	240	34	6	2-1/2	T1	MB6A2J1P1	NS	156187	1
1,000	240	35	6-1/8	1-1/2	P	MB6C1J1P1	NS	150981	1
1000	120	27	6-1/2	2	T1	MB6J2A1P1	NS	156232	1
500	240	21	8	1	T1	MB8A1A1P1	NS	156371	1
1000	240	22	8	2	T1	MB8A2A1P1	NS	156419	1
950	240	27	8	1-1/2	T1	MB8A1J1P1	NS	156380	1
1200	240	34	8-1/2	1-1/2	T1	MB8J1J1P1	NS	156435	1
1300	240	33	9	1-1/2	T1	MB9A1J1P1	NS	156460	1

**Stock Status:** S = stock NS = non-stock  
**To Order** – Specify model, PCN, volts, watts and quantity.  
**Note** – Watt densities shown are based on heated area of contact surface only.