



PHASETRONICS™

SCR Power Control Specialists

36P1

Series

20 to 600 Amp Models

Three Phase Controller

OPERATION AND SERVICE MANUAL

Table of Contents

Chapter 1 - Introduction	4
1.1 General.....	4
1.2 Receiving and Unpacking.....	4
Chapter 2 - Specifications	5
2.1 Specification.....	5
2.2 Dimensions	6
2.3 Protective Networks	7
2.4 Ambient Temperature.....	7
2.5 Cooling.....	7
Chapter 3 - Installation	8
3.1 Location	8
3.2 Initial Unit Inspection	8
3.3 Mounting and Cleaning.....	9
3.4 Enclosure Ventilation.....	9
Chapter 4 - Connections	10
4.1 Power Connections	10
4.2 Control Connections.....	11
Chapter 5 - Options	13
5.1 Option "B" (Standard on all 36P1 units)	13
5.2 Option "G" (Option B with the addition of Current Limit)	13
5.3 Option "F" (Option B with the addition of Current Trip)	13
5.4 Option "H" (Options B, F and G combined)	13
5.5 Option "KB"	14
5.6 K Series Option Soft Start.....	14
5.7 K Series Voltage and Current Feedback Signals (Efb and lfb).....	14
5.8 Option "KG": (Option KB with the addition of Current Limit).....	14
5.9 Option "KF" (Option KB with the addition of Current Trip).....	15
5.10 Option "KH" (Options KB, KF and KG combined).....	15
5.11 Option "V"	15
5.12 Option "T".....	15
Chapter 6 - Start-Up.....	16
6.1 Manual Control (Options "B" and "KB")	16
6.2 Automatic Control (Options "B" and "KB")	17
6.3 Current Limit (Option "G" and "KG") Start-up.....	17
6.4 Current Trip (Option "F") Start-up.....	17
6.5 Current Trip (Option "KF") Start-up	18
6.6 Soft Start (Options "B"- "H" abd "KB-KH") Start-up.....	18
6.7 DC Voltage and Current Regulator (Option "V" or "T")	20
Chapter 7 - Diagrams.....	23
7.1 Option Board B, F, G & H	23
7.2 Option Board KB, KF, KG & KH.....	24
7.3 Auto Manual Switch for Options B,F,G,H,KB,KF,KG & KH	25
7.4 Option Board V & T	26
7.5 Auto Manual Switch for Option V & T.....	27
7.6 PTR3000 Board	28
7.7 PTR6000-I Board	29

Chapter 8 - Troubleshooting	30
8.1 SCR Testing Procedure.....	30
8.2 Replacing Printed Circuit Boards.....	31
8.3 Replacing SCR Devices.....	33
8.4 Bench Calibration Procedure.....	33
WARRANTY INFORMATION	35

Chapter 1 - Introduction

1.1 General

The **36P1 Series** of power controls is a three phase controller available in 120 thru 575vac with current ratings from 20 to 600A. Using six SCRs in a three phase AC switch configuration, it provides smooth phase angle control for 0-100% output power. It comes standard with an isolated 4-20ma signal input, a manual potentiometer input and Load Voltage Regulation. The integral offset and gain adjustments allow tailoring of the output power with respect to the control signal input. Optional features such as Current Limit and Current Trip are also available.

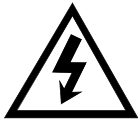
Standard features include isolated heat sink design thru 75 amperes, semi conductor protection style fuses, MOVs (Metal Oxide Varistor), dv/dt networks and high PIV rated SCRs. The **36P1 Series** is well suited for a variety of loads including inductive, resistive and high inrush.

1.2 – Receiving and unpacking

Upon receipt of this product you should immediately do the following:

- Inspect the unit for possible shipping damage (if damaged, you should notify the freight carrier and file a claim immediately)
- Verify the model number on the unit matches your purchase order

Warning



DO NOT SERVICE EQUIPMENT WITH VOLTAGE APPLIED! Unit can be a source of fatal electrical shocks! To avoid shock hazard, disconnect all power sources before working on unit.

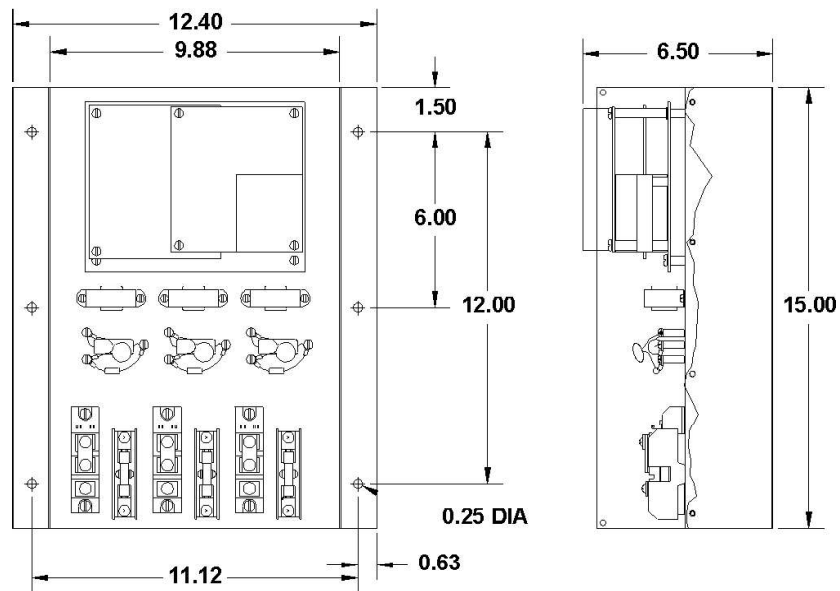
Chapter 2 - Specifications

2.1 - Specifications

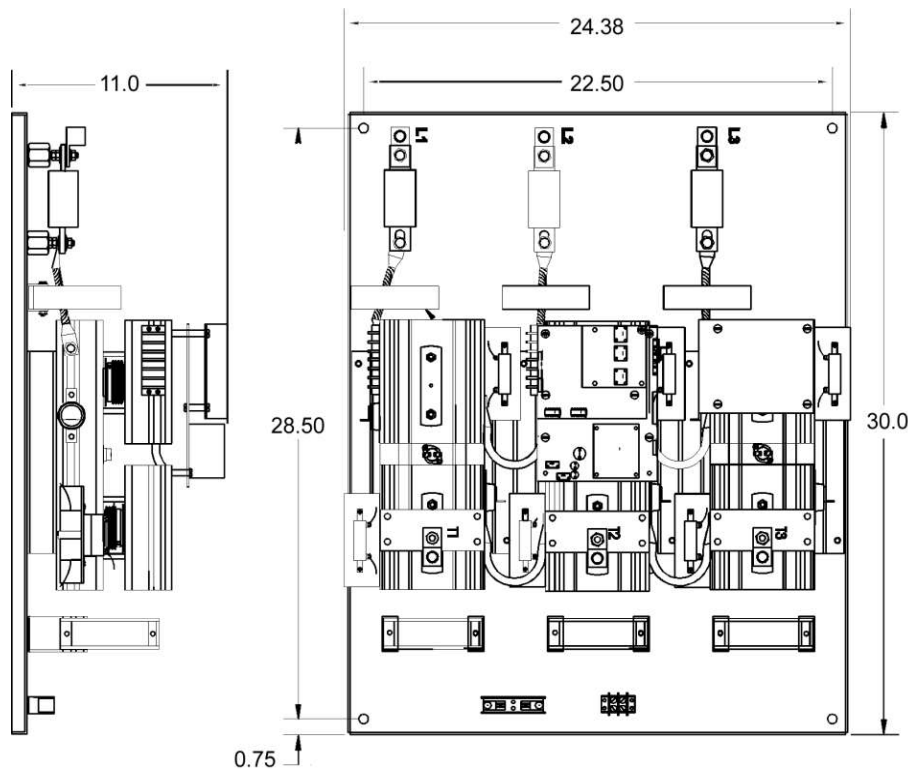
AC Supply Voltage	Operates within 120, 208, 380, 415, 480, or 575VAC $\pm 10\%$, 50/60 Hz. *	
Output Current Rating	25 to 600 amps, model dependent (higher currents available, consult factory)	
Command Inputs	Signal	Input Impedance
	Automatic: 4 - 20mA 10 - 50mA 1 - 5mA 0 - 10VDC Manual: 10K, 2 Watt pot	510ohms 200 ohms 2K ohms 100K ohms minimum
Output Voltage	0 to 98% of input voltage	
Output Stage	6 SCR (3 phase AC switch configuration)	
Load Types	Resistive, Inductive, Transformer, and Lamp	
Adjustments	Integral Offset and Gain Adjustments Accommodates most milliamp signals	
Current Limit	10 - 125% of controller rated current	
Current Trip	75 - 200% of controller rated current	
Regulation	Maintains output within 2% with a $\pm 10\%$ line variation	
Ambient Temperature	0 to 40°C at rated current (From 50°C to a maximum of 60°C, the output rating decreases by 10% for each 5°C increase.)	
Protective Features	I ² t Fusing Transient voltage suppressor (MOV) dv/dt Networks SCR Peak Inverse Voltage (PIV) 1500V	

* Dependent on model configuration

2.2 – Dimensions



Models 25 thru 75 Amps



Models 110 thru 600 Amps

Dimensions are in inches and are subject to change.

2.3 - Protective Networks

Transient Voltage Suppressor (Standard): Integral MOV (Metal Oxide Varistor) protects against high potential voltage spikes.

RC Snubber (Standard): RC Snubber networks are used to prevent false firing due to dv/dt characteristics.

SCR Peak Inverse Voltage (PIV Rating) for line voltage 120 ~ 575V: 1500V for all models.

2.4 - Ambient Temperature

Ambient temperature operating range: 0 to 40 °C (32 to 104 °F).

Transportation and storage range: 0 to 65 °C (32 to 149 °F).

Note: Output current rating decreases by 10% for each 5 °C rise (9 °F) in ambient temperature over 40 °C (104 °F) to a maximum of 60 °C (140 °F).

2.5 - Cooling

Units rated 25 to 175 Amps are convection cooled. Units rated 225 Amps and above of fan cooled.

Chapter 3 - Installation

3.1 - Location

Proper location of the **36P1 Series** is necessary to achieve specified performance and normal operation lifetime. The **36P1 Series** should always be installed in an area where the following conditions exist:

- Ambient operating temperature:
0 to 40 degrees C (32 to 104 degrees F) - Type 1 ventilated enclosure
- Protected from rain and moisture
- Humidity: 5 to 95% non-condensing
- Free from metallic particles, conductive dust and corrosive gas
- Free from excessive vibration (below 0.5G)
- Open panel units must be mounted in the appropriate type of enclosure. Enclosure size and type must be suitable to dissipate heat generated by the SCR power control. (NEMA 1 style enclosures can be forced ventilated to reduce size.) Use the following formulas for sizing non-ventilated enclosures:

Non-vented painted metal enclosures: $\left(\frac{FLA \times 1.5}{7}\right) =$ sq. ft of exposed area

Non-vented stainless steel enclosures: $\left(\frac{FLA \times 1.5}{4}\right) =$ sq. ft of exposed area

Mount units vertically so heat sink fins are parallel to vertical mounting surface. Non Fan cooled units must be mounted with the power terminals located at the bottom to ensure proper cooling.

Notes:

- FLA is the 36P1 unit current rating.
- The area of the enclosure that is against the wall when mounted is not included in the "Exposed" area for cooling considerations.

3.2 - Initial Unit Inspection

Prior to installing the **36P1 Series** unit, make a complete visual check of all the equipment for possible damage in shipping and handling. Report damage immediately before attempting to run unit. Check for loose mechanical assemblies or broken wires which may have occurred during transportation or installation. Loose electrical connections will increase resistance and cause unit to function improperly. Prior to beginning the installation, verify the **36P1 Series** unit is rated for the proper voltage and current for the load.

Warning



Do not service equipment with voltage applied! Unit can be source of fatal electrical shocks! To avoid shock hazard, remove all sources of power before working on controller. Warning labels must be attached to terminals, enclosure and control panel to meet local codes.

3.3 - Mounting and Cleaning

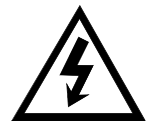
If mounting the **36P1 Series** unit in an enclosure requires drilling or punching holes in the enclosure, cover the electrical assembly to prevent metal filings from becoming lodged in areas which can cause clearance reduction or actually short out electronics. After work is complete, thoroughly clean the area and re-inspect the **36P1 Series** unit for foreign material. Make sure to observe the required wire bending space per NEC, NFPA and local codes when installing the unit. To maximize effective air flow and cooling, the unit must be installed with its heat sink ribs oriented vertically and running parallel to the mounting surface. If the unit has a fan, install unit so the fan blows upward vertically.

In dirty or contaminated atmospheres the unit should be cleaned on a regular basis to insure proper cooling. Do not use any chemicals to clean the unit. To remove surface dust, use 80 to 100 PSI clean dry compressed air only. A three inch high quality dry paint brush is helpful to loosen the dust prior to using compressed air on the unit.



WARNING!

Remove all sources of power before cleaning the unit.



3.4 – Enclosure Ventilation

110 thru 175 Amp units require a 120 cfm box ventilation fan for NEMA 1 enclosures. 225 Amp and larger units require a 240 cfm vent fan. See example below.

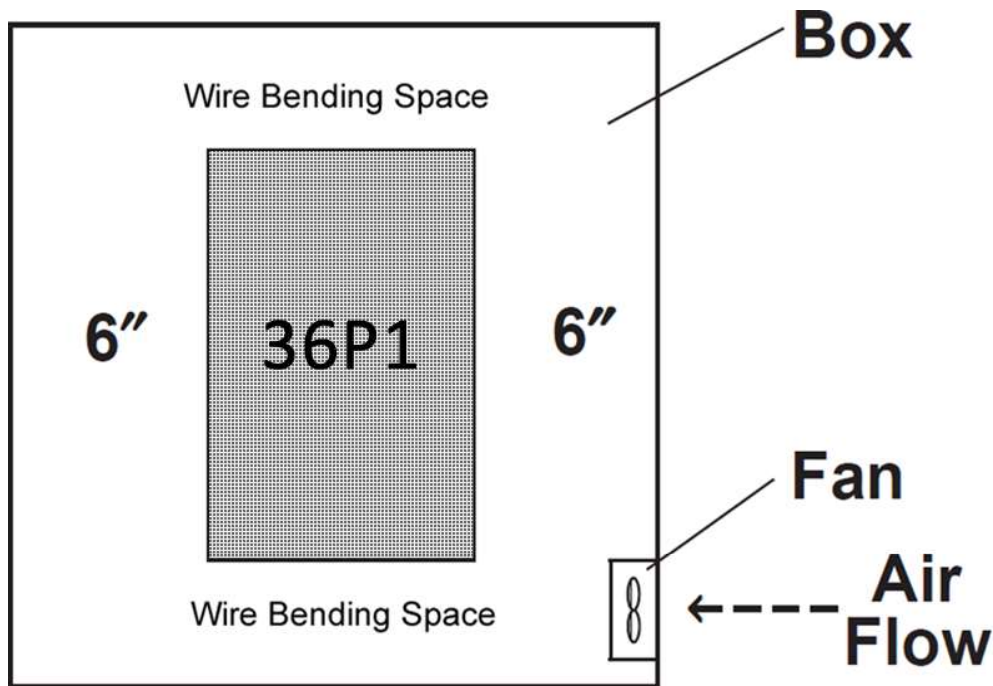


Figure 1 - Enclosure

Note: Any box size should be selected in coordination with minimum field wiring bending space requirements per local and National Electrical Codes.

Chapter 4 - Connections

4.1 - Power Connections

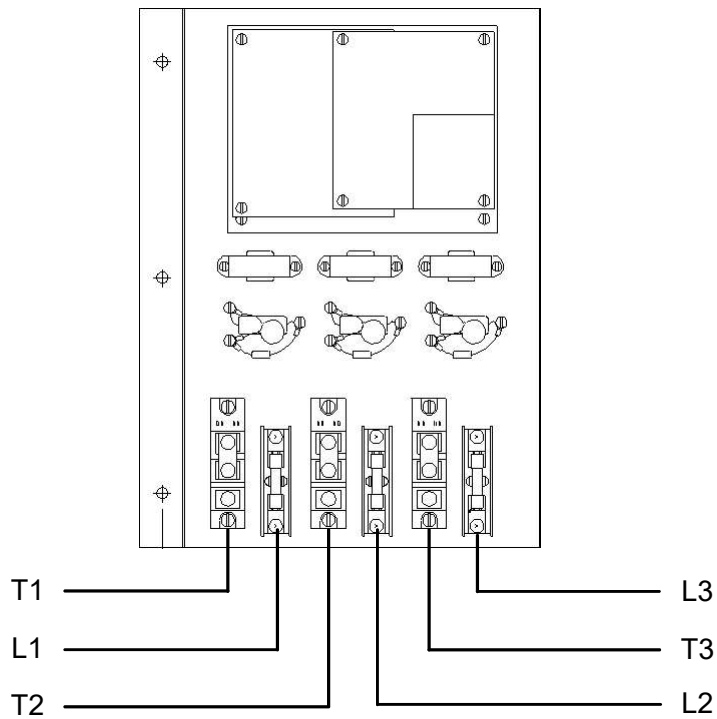


Fig 2a

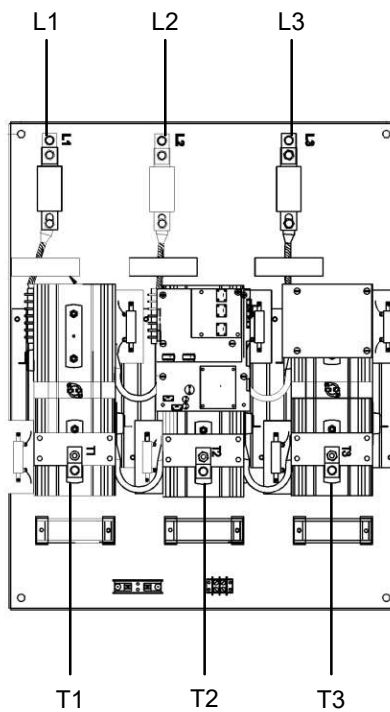


Fig 2b

4.2 - Control Connections

4.2.1 Manual Control

1. The connection of the manual potentiometer is not required for automatic operation.
2. For B, F, G & H, the potentiometer is connected to TB1 -3, -6 & -9. (Fig 3)
 For KB, KF, KG & KH, the potentiometer is connected to TB1-5, -6 & -7. (Fig 4)
 For V or T, there are two manual control potentiometers. (Fig 5)
 The Voltage control potentiometer is connected to TB1-3, -4 & -5. 3 is high, 4 is wiper and 5 is low.
 The Current Control potentiometer is connected to TB1-8, -9 & -10. 8 is high, 9 is wiper and 10 is low.
 Refer to Section 7 for specific option card type and connection locations.
3. Manual potentiometer is 10K ohm, 2 watts linear resistance taper.
4. If you are using only manual pot control, proceed to chapter 5 & 6 Start-up details.

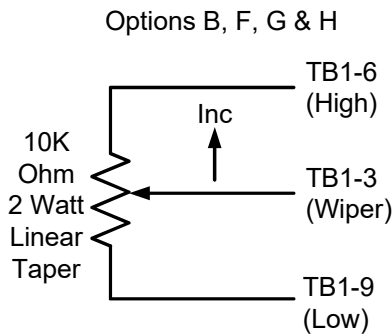


Figure 3 – Potentiometer

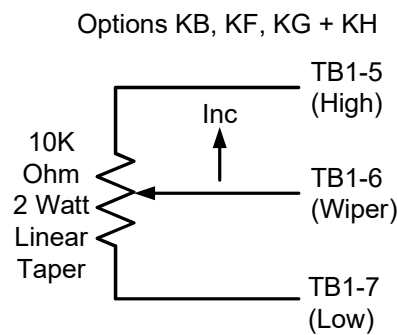


Figure 4 – Potentiometer

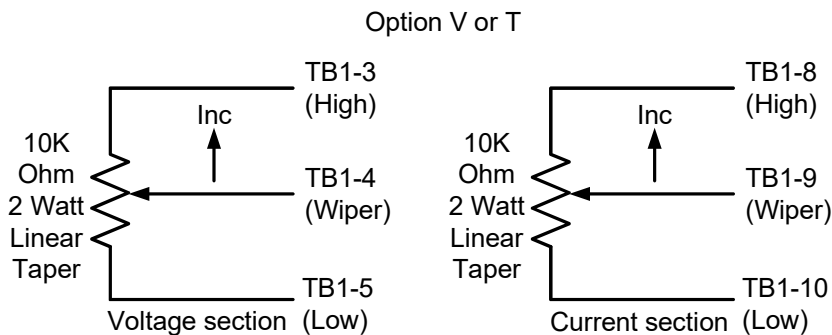


Figure 5 – Potentiometer

4.2.2 Automatic Control

1. Connect the automatic control signal to TB1 on the PTR6000-I board.

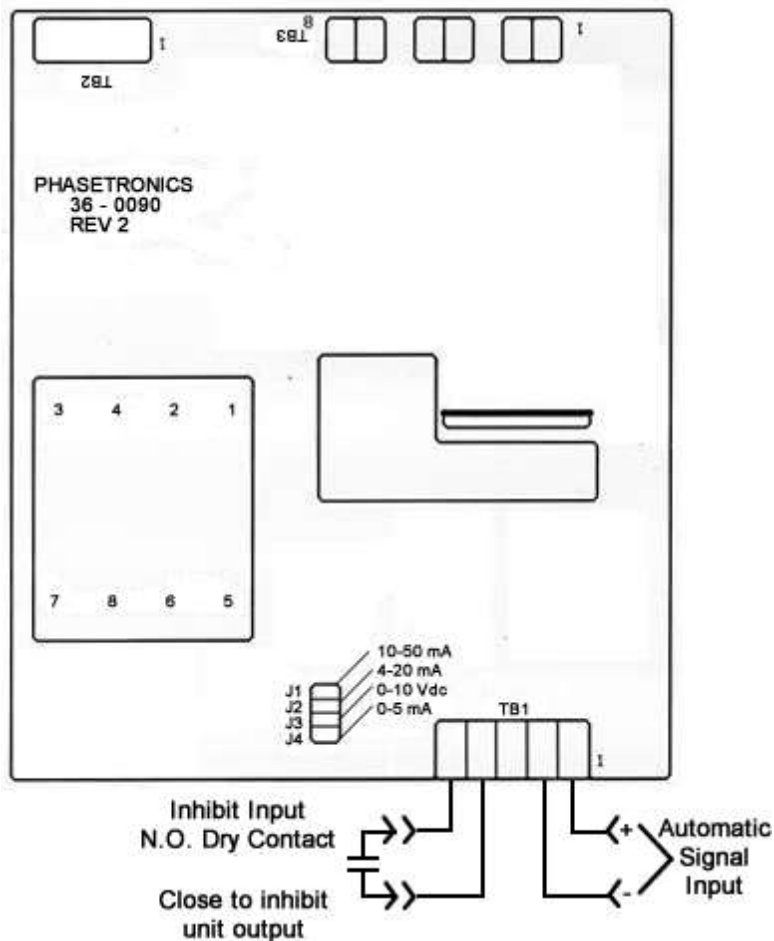


Figure 6 – Analog Input for Option B, G, F, H, KB, KG, KF + KH

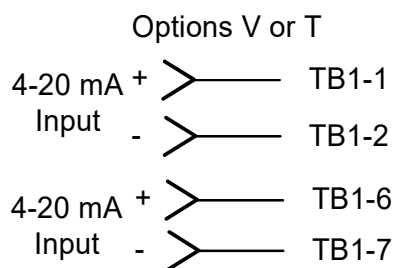


Figure 7 – Analog Input

2. If both the manual and automatic control signals are needed, consider installing an auto/manual switch. (See section 7.3 or 7.5) If both the manual and automatic signals are connected simultaneously, the signal with the larger input value signal will control the unit.

Chapter 5 – Control Options

5.1 Option "B" (Standard on all 36P1 units)

The Offset (R12) and Gain (R15) adjustments are factory set for a 4-20ma input signal. If needed, they can be used to tailor the output voltage to meet most applications. When a Manual Potentiometer is used in conjunction with the Automatic signal, an Auto/Manual switch for selectable Local/Automatic operation should be added. (see section 7.2).

The standard Power On soft start is adjustable from 0.25 seconds when fully clockwise to 60 seconds when set fully counter clockwise.

The integral Load Voltage Regulation feature provides a means of stabilizing the output voltage when input voltage variations are present. The output voltage is monitored thru the onboard feedback transformer and the control loop compares it to the command signal to provide regulation. Output regulation of +/-2% over a +/-10% input voltage swing can be beneficial in heating or other critical applications where stability and repeatability is of concern. This feature is factory calibrated. Adjusting the Feedback potentiometer will cause the units regulation to be affected and should be avoided.

5.2 Option "G" (Option B with the addition of Current Limit)

Provides an additional layer of protection for dynamic and non-linear loads. Adjustable from 0-125% of the units rating, this option will override the control signal to limit the output current to a preset level.

By adjusting the Current Limit pot (R63) on the option card, the level can be set to zero at the fully counter clockwise position to 125% of the units rating when at the fully clockwise position. This feature is useful when the load can vary during process transitions or during a start-up condition. This option can also be disabled by removing the "X2" jumper on the option card if necessary.

5.3 Option "F" (Option B with the addition of Current Trip)

The Current Trip option is over current protection that when activated will shut off the units current flow in 1/2 cycle of line power or less. It's peak current detector circuitry will initiate the shutdown sequence the instant any peak current exceeds the Current Trip threshold set by potentiometer R42. The adjustment range is 75% to 200% of unit rated current. The Sensitivity to a trip (lower threshold) is increased as the adjustment is turned clockwise. Minimum Sensitivity is when the adjustment is turned fully counter clockwise. Current Trip is a latched trip and requires a momentary manual reset via a normally open dry contact connected to TB1-4 and TB1-7 or TB1-8.

5.4 Option "H"

Combination of options B, F and G.

5.5 Option “KB”

The Offset (P1) and Gain (P2) adjustments are factory set for a 4-20ma input signal. If needed, they can be used to tailor the output voltage to meet most applications. When a Manual Potentiometer is used in conjunction with the Automatic signal, an Auto/Manual switch for selectable Local/Automatic operation should be added. (see Section 7.2).

The standard Power On Soft Start is adjustable from 0.5 seconds when fully counter clockwise to 25 seconds when set fully counter clockwise.

The integral Load Voltage Regulation feature provides a means of stabilizing the output voltage when input voltage variations are present. The output voltage is monitored thru the onboard feedback transformer and the control loop compares it to the command signal to provide regulation. Output regulation of +/-2% over a +/-10% input voltage swing can be beneficial in heating or other critical applications where stability and repeatability is of concern. This feature is factory calibrated. Adjusting the Feedback potentiometer will cause the units regulation to be affected and should be avoided.

5.6 K Series Option, Soft Start

This feature is standard on all K options and is slightly different than the standard "non K" series option. It provides a soft start at Power Up, on a Current Trip Reset (if using Option KD or KE) or when Lockout is released. It protects fuses from inrush currents and is well suited for high inrush loads and delicate heater elements. The ramp rate is adjusted by the P5 potentiometer on the option card. When set at minimum (fully counter clockwise) the ramp time is ~0.5 seconds to 100% output. When set at max (fully clockwise) the ramp time is ~24 seconds. This option can also be disabled by removing the "X3" jumper on the option card, see section 7 for the jumper location.

5.7 K Series Voltage and Current Feedback Signals (Efb and lfb)

All K series option cards come with two 0-10vdc output signals that represent the 0 to 100% output current and voltage of the unit. Both signals are low impedance output (470 ohms) and can drive up to 2ma. The lfb signal is available between pins 8 & 9 on TB1 where pin 9 is the common and pin 8 is the 0-10vdc output. The Efb signal is available between pins 9 & 10 on TB1 with 9 being the common and 10 as the output. Both feedback signals are factory calibrated. Fine tuning for a specific application or scale is available by potentiometers P4 for the Efb and P9 for the lfb. A clockwise turn will increase the output and a counterclockwise adjustment will decrease the output.

5.8 Option “KG” (Option KB with the addition of Current Limit)

Provides an additional layer of protection for dynamic and non-linear loads. Adjustable from 0-125% of the units rating, this option will override the control signal to limit the output current to a preset level.

By adjusting the Current Limit pot P8 on the option card, the level can be set to zero at the fully counter clockwise position or up to 125% of the units rating when at the fully clockwise position. This feature is useful when the load can vary during process transitions or during a start-up condition. This option can also be disabled by removing the "X4" jumper on the option card if necessary.

5.9 Option “KF” (Option KB with the addition of Current Trip)

The Current Trip option is over current protection that when activated will shut off the units current flow in 1/2 cycle of line power or less. Its peak current detector circuitry will initiate the shutdown sequence the instant any peak current exceeds the Current Trip threshold set by potentiometer P6. The adjustment range is 75 to 200% when going from fully counter clockwise to fully clockwise. The K series Current Trip is not latching and is automatically reset after an adjustable time has expired. The Trip Reset time is configured by two jumpers and adjusted by potentiometer, P7. The Short Range jumper X1 allows adjustment from 1 to 12 seconds of delay before an automatic reset is attempted. The Long Range jumper X2 allows for adjustment from 10 to 21 seconds. The minimum time for each range is with P7 set fully counter clockwise. The maximum time for each range is with P7 set fully clockwise.

5.10 Option “KH”

Combination of options KB, KF & KG.

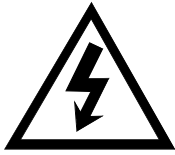
5.11 Option “V”

The V option is specifically designed for applications where DC voltage and/or Current regulation is required. It comes standard with manual pot and optically isolated 4-20ma inputs for both the Constant Voltage and Constant Current commands. Its automatic crossover feature is standard and allows for smooth transition from one regulation mode to another. The power on soft start feature prevents inrush into filter circuits or dynamic loads and is adjustable from a minimum of 0.5 seconds with P7 fully counter clockwise to a maximum of 25 seconds with P7 set fully clockwise. With regulation of typically better than 0.75%, it is well suited for plating rectifier, battery charging, and any other application that requires a constant voltage or current.

5.12 Option “T”

This option is the same as Option V with the addition of instantaneous Current Trip. This additional protection feature monitors the peak output current and provides an adjustable Current Trip setting (P6) of 50% when set fully counter clockwise to 200% when set fully clockwise. If a current trip occurs, the units output is shut down in 1/2 line cycle or less and the onboard current trip relay contacts located at TB4 are activated along with the red Current trip LED. The Trip condition is now latched until a normally closed trip reset contact connected to TB1 pins 11 & 12 is momentarily opened. This allows the unit to soft start back to the command value.

Chapter 6 - Start-up



WARNING!
High Voltage present qualified personal only.

Equipment Required:

- Digital Volt Meter
- Clamp on Current Meter
- Appropriately Rated Personal Protection Equipment
- Non-metallic small flat blade screwdriver

6.1 Manual Control (Options “B” and “KB”)

The following procedure is used for manual control start-up of the **36P1 Series** Control.

1. If the unit has an automatic control signal connected, set it to zero or disconnect it.
2. If the unit has current limit or current trip options, consider setting their adjustment potentiometers (R45 & R63 or P6 & P8 for K series) to their maximum settings to ensure they do not interfere with the start up.
3. Set the digital meter to resistance and verify the manual pot is at minimum by ohming between terminals TB1-3 and -9 for the standard option and TB1-6 & -7 for the K series option. It should read less than 1 ohm. If not, verify the potentiometer connections before proceeding.
4. Place the Clamp on current meter over the cables connected to the T1 (Load) terminal on the unit.
5. Set the digital volt meter to AC volts and connect it to the T1 and T2 output terminals.
6. Energize the main power and verify there is no current or voltage output.
7. Slowly rotate the manual pot clockwise while monitoring the voltage and current. The units output should begin to gradually rise as the manual pot is turned.
8. Continue to turn the manual pot until it is at maximum.
9. Verify the units output voltage is at maximum and the current reading is as expected.
10. Slowly reduce the manual pot to zero and verify the units output followed.
11. Remove the units power and disconnect the current and volt meters.
12. The unit is now ready to put into service.

Note: If the unit is connected for manual control only and optional current limit is provided, proceed to current limit start-up procedure (Section 6.3). If operating under manual control only, you have completed start-up.

6.2 Automatic Control (Options “B” and “KB”)

The following procedure is used for automatic control start-up of the **36P1 Series** Control.

1. Offset and Gain adjustments for the 4-20ma Automatic signal are factory calibrated.
2. If the unit has current limit or current trip options, consider setting their adjustment potentiometers (R45 & R63 or P6 & P8 for K series) to their maximum settings to ensure they do not interfere with the start up.
3. Place the current meter around the T1 output lead from the unit.
4. Set the digital volt meter to AC volts and connect it to the T1 and T2 output terminals.
5. Energize the unit and verify there is no output voltage or current.
6. Increase the automatic signal gradually to 100% (max) and verify the units output voltage increases as well and follows the command signal level.
7. Verify the units output voltage is at maximum and the current reading is as expected.
8. Slowly reduce the automatic signal to minimum and verify the unit output followed.
9. Remove the units power and disconnect the current and volt meters.
10. The unit is now ready to put into service.

6.3 Current Limit (Option “G” + “KG”) Start-up

1. This section assumes the regular start up in sections 6.1 and/or 6.2 have been successfully completed and the current/volt meters are still connected.
2. Verify the current limit potentiometers R63 or P8 (K series) are set to maximum.
3. Energize the unit.
4. Increase the manual pot or automatic control signal to maximum.
5. Verify the units output is at maximum.
6. Monitor the Voltage and Current meters and slowly decrease the current limit pot setting until the units output begins to decrease.
7. Continue to decrease the current limit adjustment counter clockwise until the desired current limit point is reached. This will set a maximum current limit value.
8. If the unit is required to output full voltage, slowly increase the current limit pot until the units output voltage reaches maximum again. This will set the current limit point just above the full voltage output value.
9. Adjust the command signal to minimum, then maximum and down to minimum again.
10. Verify the current limit value is correct and the unit performs as needed.

6.4 Current Trip (Option “F”) Start-up

1. This section assumes the regular start up in sections 6.1 and/or 6.2 have been successfully completed and the current/volt meters are still connected.
2. Verify the Current Trip potentiometer R42 is set fully counter clockwise. (Minimum Sensitivity)
3. Energize the unit
4. Increase the manual or automatic control signal to maximum.
5. Verify the units output is a maximum.
6. Monitor the Voltage and Current meters and slowly turn the Current Trip pot R42 clockwise (increase sensitivity) until the units output abruptly drops to zero.
7. Momentarily press the Trip Reset button connected between TB1-4 and -8.

8. The unit should switch on. If the unit fails to come on, adjust the Current Trip pot R42 slightly counter clockwise to decrease the sensitivity and momentarily press the reset button again.
9. Repeat this process until the unit will remain on after a reset.

6.5 Current Trip (Option “KF”) Start-up

1. This section assumes the regular start up in sections 6.1 and/or 6.2 have been successfully completed and the current/volt meters are still connected.
2. Verify the Current Trip potentiometer P6 is set fully clockwise (Maximum)
3. Select the Long or Short, Current Trip Reset Time range jumper X1 or X2 (See section 7).
4. Set the Current Trip Reset Time potentiometer P7 to mid-scale.
5. Energize the unit.
6. Increase the manual pot or automatic control signals to maximum.
7. Verify the units output is at maximum.
8. Monitor the Voltage and Current meters and slowly turn the Current Trip Pot (P6) counter clockwise (decrease) until the units output abruptly drops to zero.
9. Allow the Auto Reset Time to expire while monitoring the output voltage.
10. At the end of the Auto Reset Time, the unit will ramp the output voltage to the command level.
11. The unit may trip again during the ramp up. If this occurs, increase the Current Trip adjustment a small amount and allow the Auto Reset Timer to cycle again.
12. Repeat this process until the unit can ramp to 100% power without a Current Trip.
13. Decrease the command signal to minimum.
14. Increase the command signal again to maximum. If the unit trips again, increase the Current Trip adjustment slightly and repeat the Reset process until the unit can reach full output.

6.6 Soft Start (Option “B-H” and “KB-KH”) Start-up

This section assumes the regular start up in sections 6.1 and/or 6.2 have been successfully completed and the current/volt meters are still connected.

6.6.1 Option B-E

1. Option B thru E soft start is active only during power up.
2. Preset the Soft start potentiometer R46 to mid scale.
3. Remove power from the unit and wait one minute.
4. Increase the command signal (Manual or Automatic) to maximum.
5. While monitoring the volt meter, apply power to the unit and time how long it takes the unit to reach maximum output.
6. Adjust R46 counter clockwise to decrease the soft start time or clockwise to increase the soft start time.
7. Repeat steps 3 thru 6 until the desired soft start time is reached.

6.6.2 Option KB-KE

1. Preset the Soft Start potentiometer P5 on the option card to mid-way.
2. Connect a normally open, dry, contact to TB1 pins 1 & 2.
3. Increase the command signal (Manual or Automatic) to maximum.
4. While monitoring the volt meter, apply power to the unit and time how long it takes the unit to reach maximum output.
5. Close the contact at TB1 pins 1 & 2 and verify the unit output drops to zero.
6. Open the contact at TB1 pins 1 & 2 and verify the unit output again ramps to maximum output.
7. Adjust the Soft Start pot P5 clockwise to increase ramp time (slower) or counter clockwise to decrease ramp time (faster) as needed.
8. Repeat steps 5 - 7 until the soft start is set to the desired time.

6.7 DC Voltage and Current Regulator (Option “V” and “T”)

Due to the multitude of applications and DC voltages, any given system can be designed for and to maintain 100% flexibility with any system, the V and/or T options are not configured for immediate use when shipped on AC output units such as the **36P1 series**. The V/T option series must be configured for the end use application before a startup sequence can be attempted.

6.7.1 V and T Option Setup

1. The V & T options are used with DC voltage systems and require feedback signals from the voltage and/or current to operate correctly.
2. The Current feedback signal is from a 50 millivolt shunt that is located in the negative leg of the DC output circuit. For proper performance, the shunt must be connected directly to the negative output of the rectifier before any filter components. (Fig. 6 shows typical connections.) The shunt signals are then brought back to TB2 pins 3 & 4 on the V/T option card with pin 3 being the positive side of the shunt and pin 4 being the negative.
3. A DC Voltage feedback signal is also required from the positive output of the rectifier. A single lead wire that is appropriately rated and fused is connected to the rectifiers positive output prior to any filtering components and is brought back to TB2 pin 1 on the V/T option card as the DC voltage feedback signal. (Fig. 6 shows typical connections.)

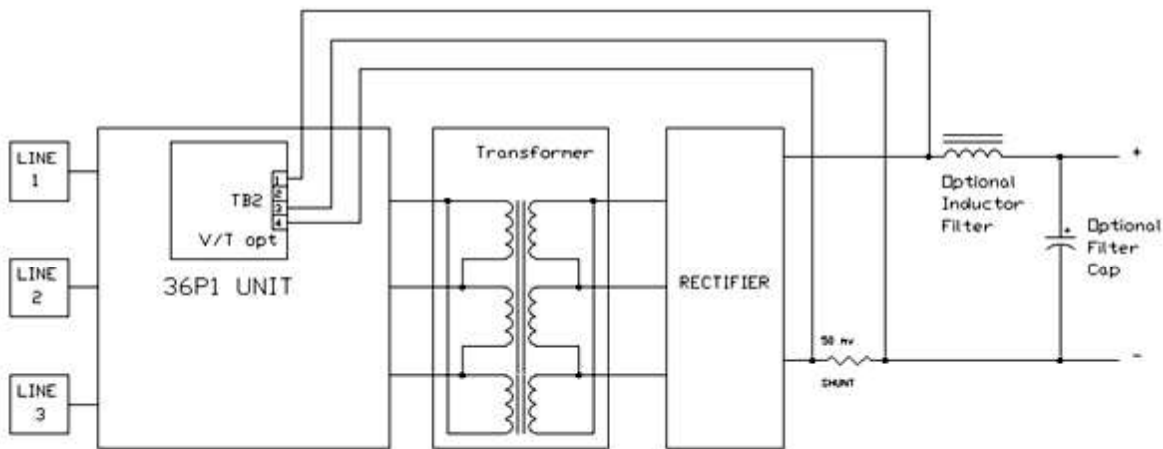


Fig 6

6.7.2 V and T Option Configuration and Connections

1. Determine the Feedback Resistor using the following equation;

$$R_{fb} = \frac{(DC_{max} - 6)}{.005166}$$

where R_{fb} is the feedback resistor value and DC_{max} is the maximum DC output voltage.

Note: The feedback resistor can dissipate significant wattage. Use the following equation to calculate the feedback resistor wattage required.

$$W = \left(\frac{DC_{max} \times DC_{max}}{R_{fb}} \right) \times 2$$

2. Solder the feedback resistor to turrets E5 & E6.
3. Select and install the remaining pad components.

Note: All caps are 35Vdc minimum.

Voltage section:

E7 & E8 = 15uf, Electrolytic or Tantalum,
E9 & E10 = 0.47uf, Paper, Film or Ceramic

Current section:

E11 & E12 = 0.47uf, Paper Film or Ceramic.
E13 & E14, 0.22uf, Paper, Film or Ceramic.

4. 4-20ma connections: (if Milliamp signals are not used skip to item 5.)
 - Connect the Voltage control signal to TB1 pins 1 & 2 with 1=positive and 2 = negative
 - Connect the Current control signal to TB1 pins 6 & 7 with 6=positive and 7=negative
 - See section 7 for connection illustration
5. Connect the Voltage control pot to TB1 pins 3(low), 4(wiper) & 5(high)
 - Connect the Current control pot to TB1 pins 8(low), 9(wiper) & 10(high)
 - See section 7 for connection illustration

Note: If only one control mode is used, the other must be fully enabled by placing a jumper or closed contact from the wiper position to the high side position. i.e. from TB1-4 to TB1-5 for example. See section 7 for connection illustration.
6. Connect the Positive Feedback voltage from the rectifier output to TB2 pin 1.
7. Connect the Negative side of the shunt to TB2-4.
8. Connect the positive side of the shunt to TB2-3.

Note: If the shunt is not used, a jumper must be placed between TB2-3 and -4.
9. The "T" option provides a Form C fault contact located at TB4. Pin 1 = Common, Pin 2 = Normally Open, and Pin 3 = Normally Closed. The Contacts are rated 120vac @ 0.5A and change state upon a current trip signal. They revert back after the trip reset signal has been received.
10. For Option T, connect a normally closed Trip reset contact between TB1-11 and -12 (Momentary open to reset).
11. Both the V and T options provide a 0-6vdc output control signal at TB3 that is designed to interface with the legacy Vectrol firing cards and the PTR6009 series of SCR firing cards. Pin 1 is the output signal and pin 2 is signal common.
12. In applications where both Local and Remote control signals are utilized, an Auto/Manual switch should be installed to isolate the unused or unwanted input signal. See section 7 for typical connections.

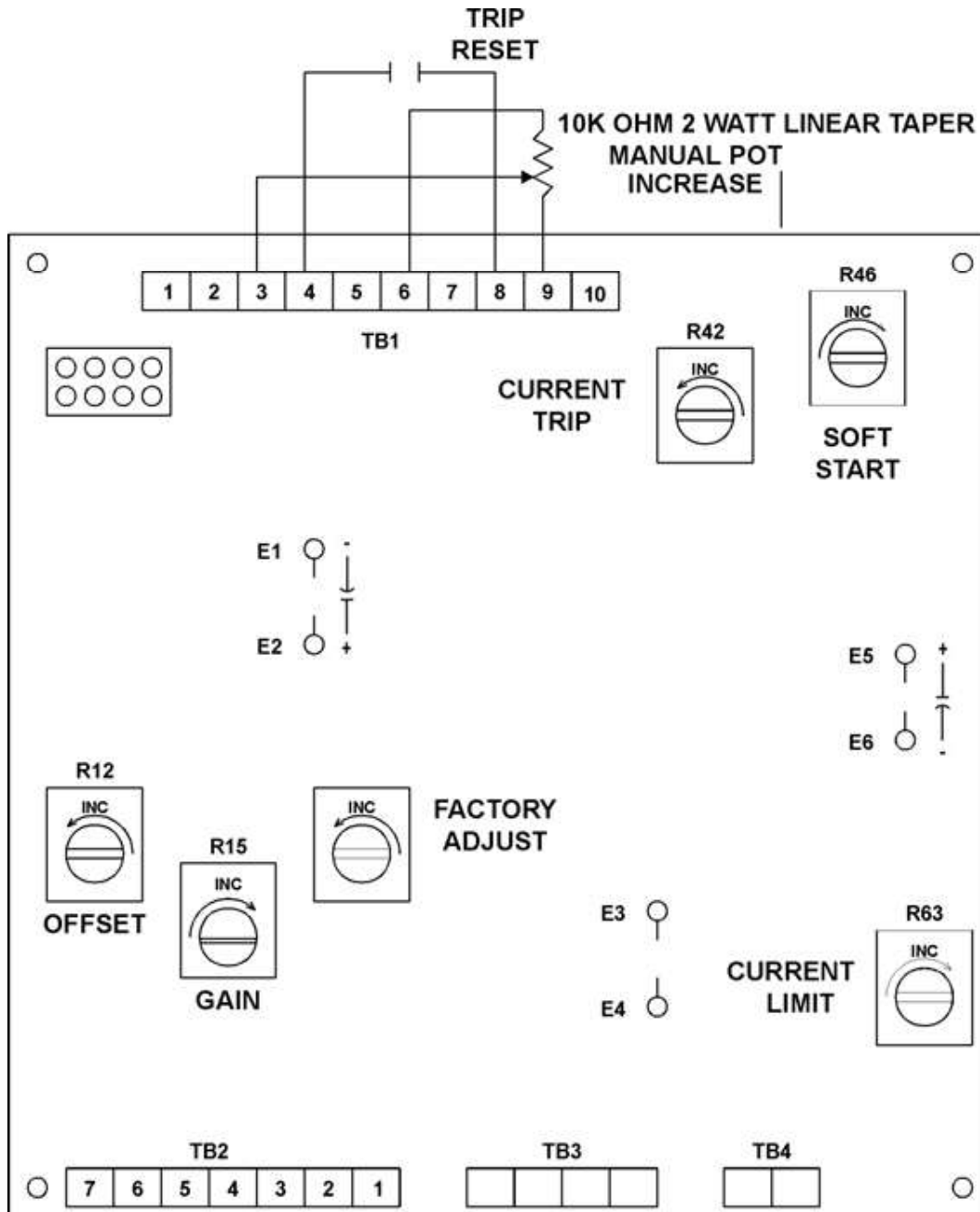
6.7.3 Option V and T Startup

1. Before applying power, set all potentiometer adjustments as follows.
 - Voltage Adjust Pot, Fully Counter Clockwise. (4-20ma at minimum)
 - Current Adjust Pot, Fully Clockwise. (4-20ma at maximum)
 - Voltage Feedback Trim Pot P5, Fully Counter Clockwise.
 - Current Trip Pot (option T only) P6 fully Clockwise.
 - Soft Start Pot P7, mid range.
2. Apply power and adjust the Voltage control pot or 4-20ma signal to maximum.
3. Adjust the Voltage Feedback Pot P5 slowly clockwise until the output voltage level reaches maximum.
4. Reduce the manual pot or automatic signal slightly and verify the units output follows. If not, increase the signal to maximum and readjust the P5 pot.
5. If Voltage control is responding correctly, set it to maximum and slowly decrease the Current control signal to verify the output from the system follows the control signal.
Note: If the load is significantly smaller than the shunt value, the current control pot/signal will appear to have no effect until the low end is reached. This is due to the very small feedback signal from the shunt. To properly verify the current control mode, the full rated load should be used.
6. For option T, the system must have a full load applied to correctly adjust this feature.
7. With the system under full load and at maximum output, slowly decrease the Current Trip pot P6 by turning it counter clockwise until the units output abruptly drops to zero.
8. Verify the Red Current Trip LED is on and the relay contacts at TB4 have changed state.
9. Momentarily press the trip reset button and verify the unit comes back on and ramps up.
10. If the unit trips again as the output ramps up, increase the P6 Trip setting slightly and reset again.
11. Increasing the soft start time by adjusting P7 clockwise will also help prevent the inrush and help prevent the unit from tripping on a reset.

Note: If longer ramp time is desired, add capacitor at terminals E15 and E16 on V option board. Factory installed 100 micro farads cap for 30 second ramp. E15 is positive.

Chapter 7 - Diagrams

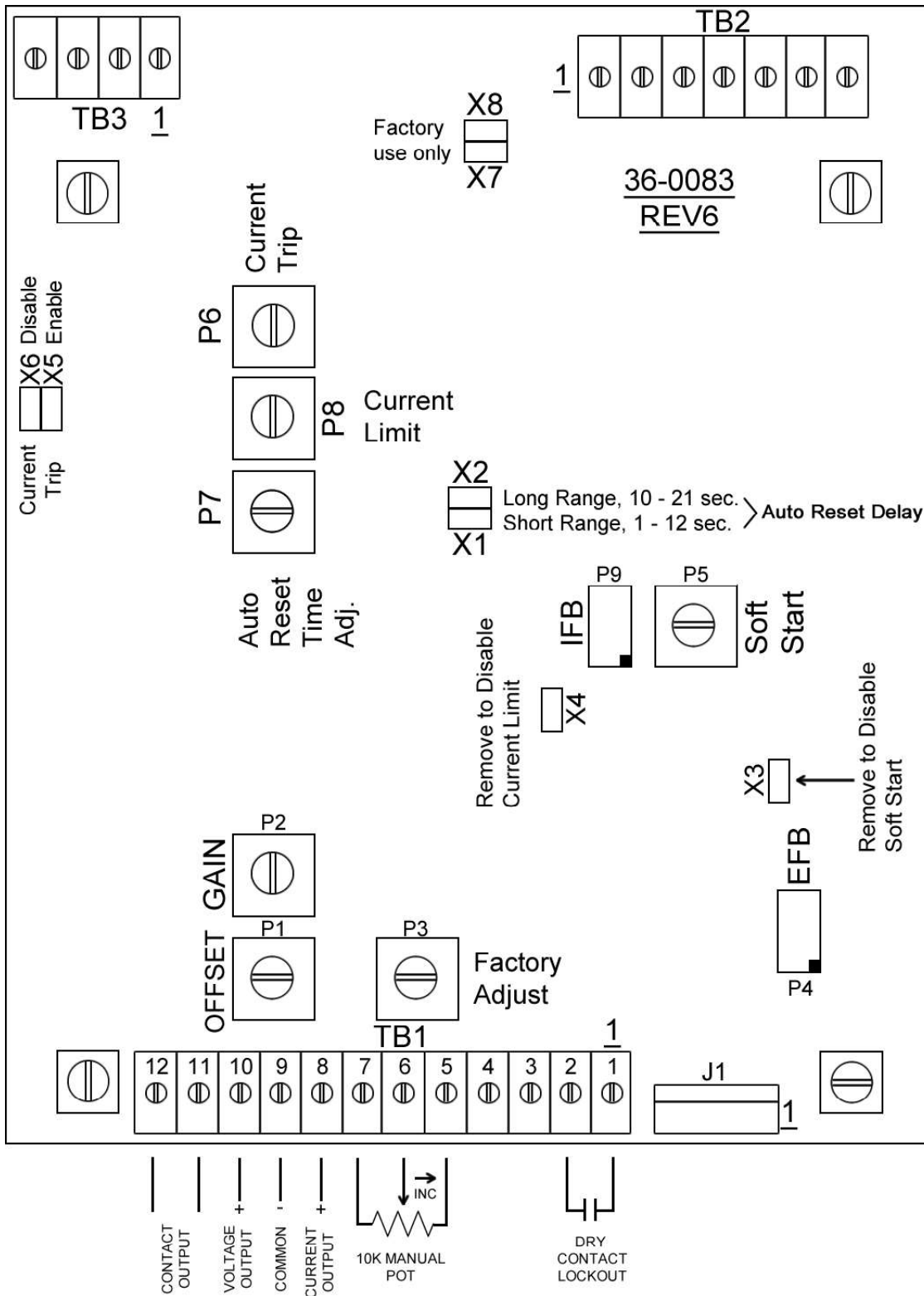
7.1 – Option Board B, F, G & H – Manual Control



NOTES:

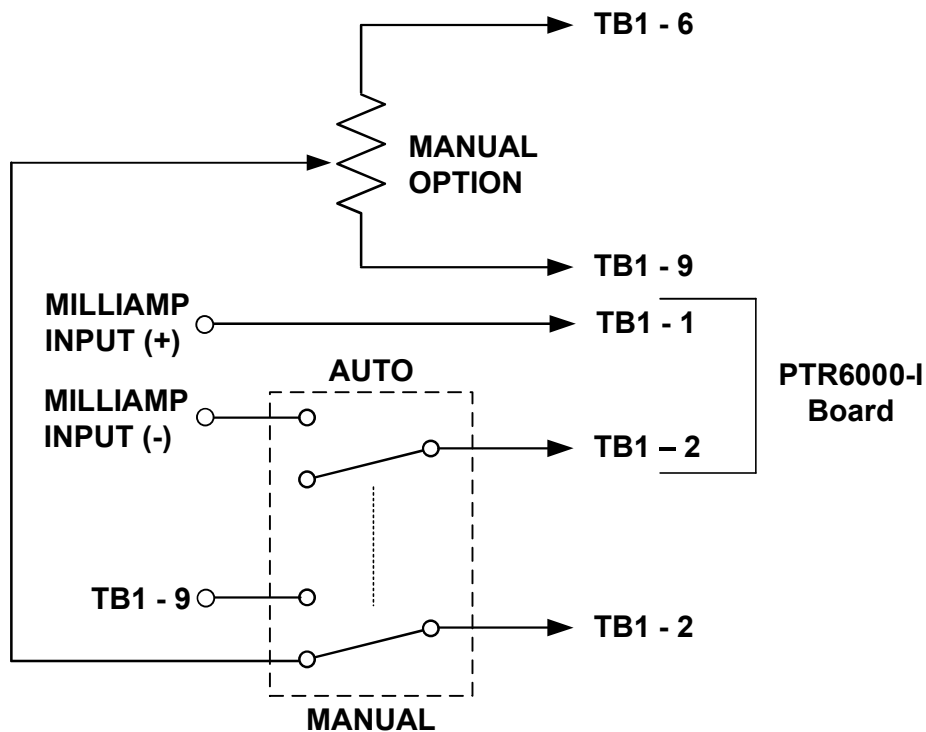
E5 & E6 – Soft Start capacitor pad. If longer ramp time is required add capacitor. Consult factory for capacitor value.
 E1 & E2 – Rate of change capacitor add a capacitor to slow the response time with respect to control signal input change. Consult factory for capacitor value.

7.2 –Connections Option Board KB, KF, KG & KH

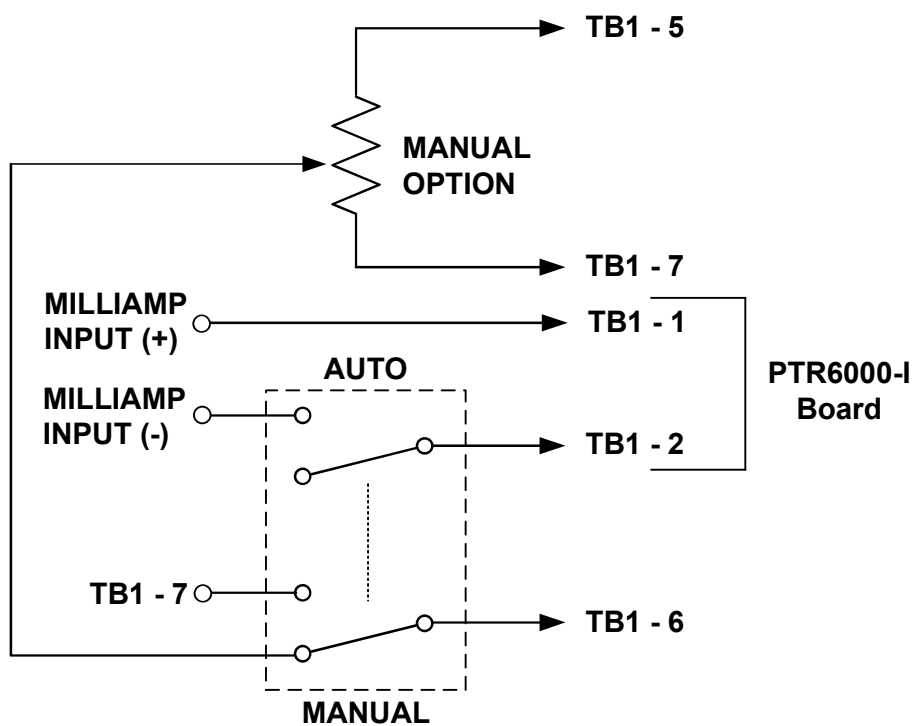


7.3 - Auto/Manual Switch Option Boards

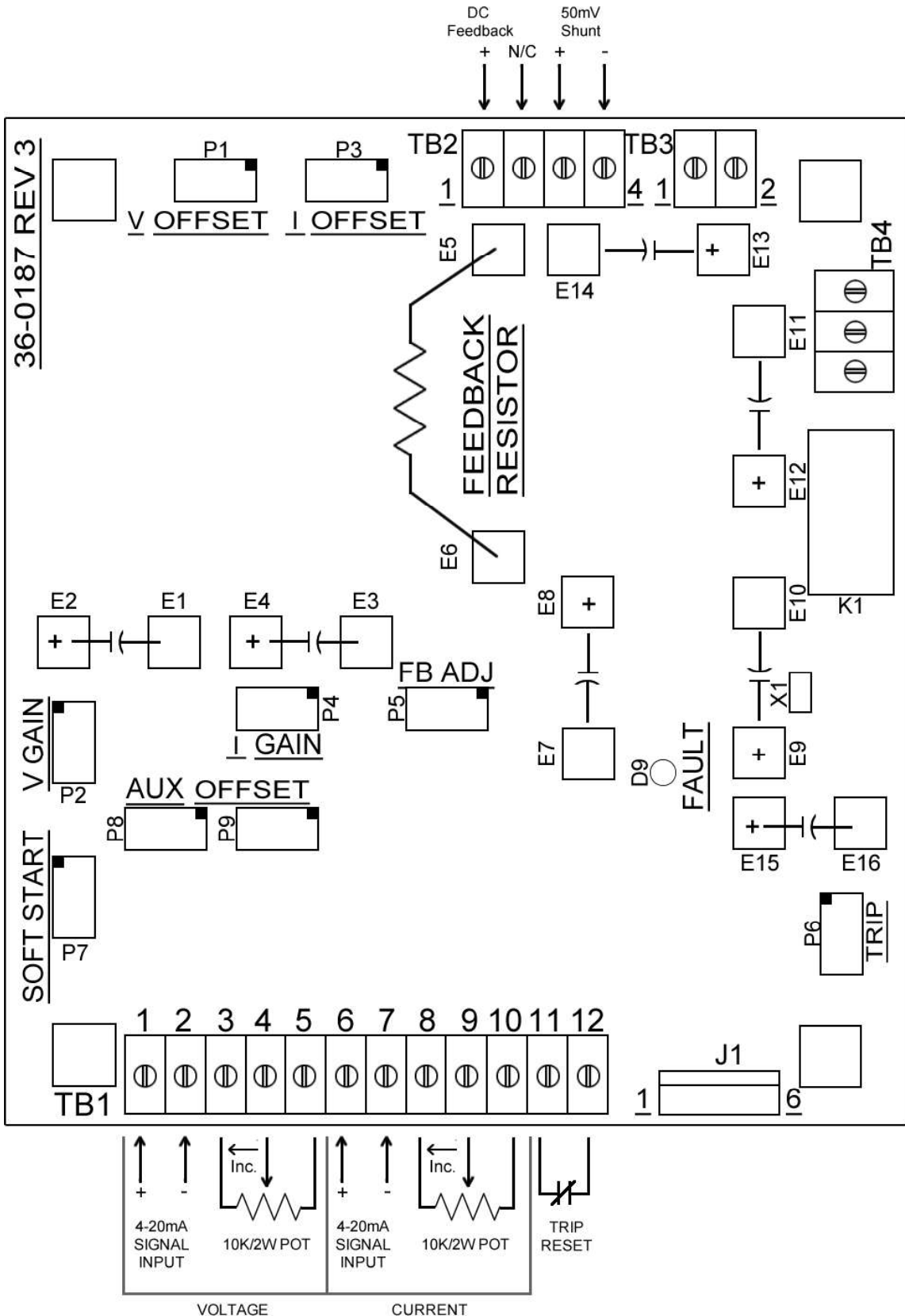
Option Board B, F, G & H



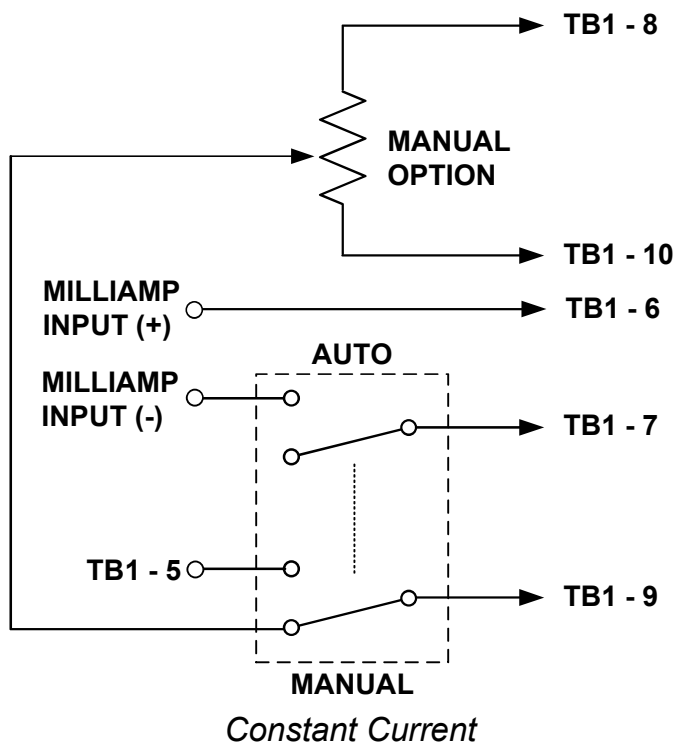
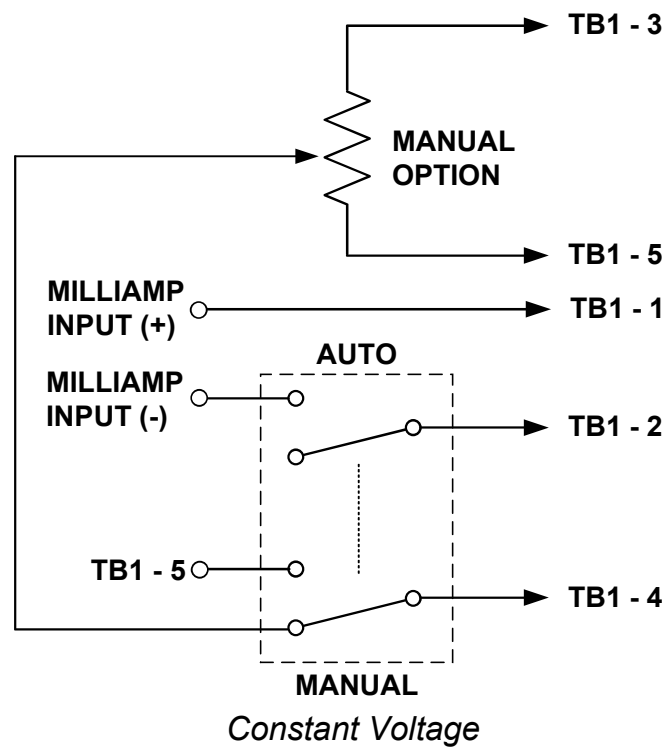
Option Board KB, KF, KG & KH



7.4 –Connections Option Board V + T

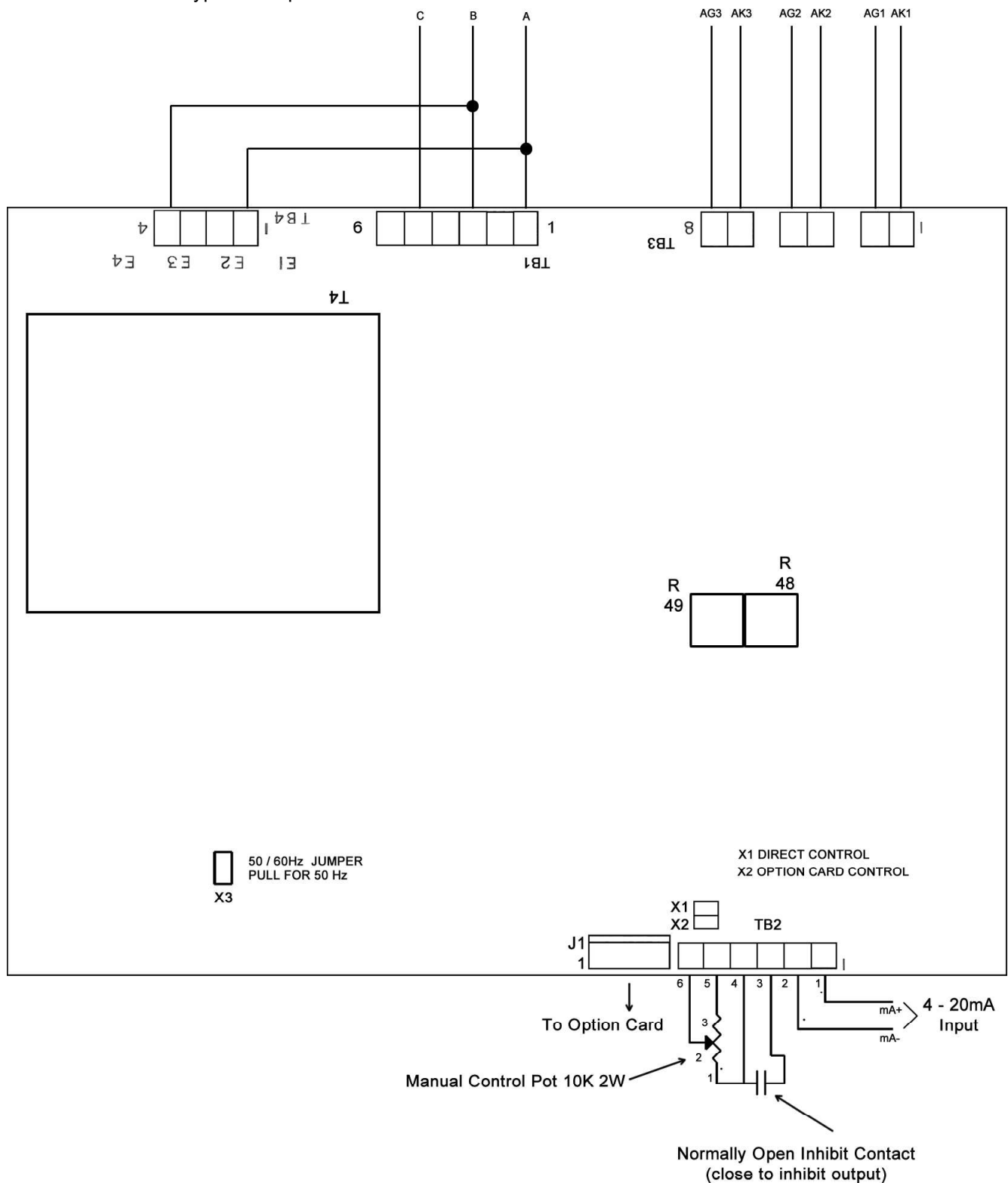


7.5 –Auto/Manual Switch for Option V or T

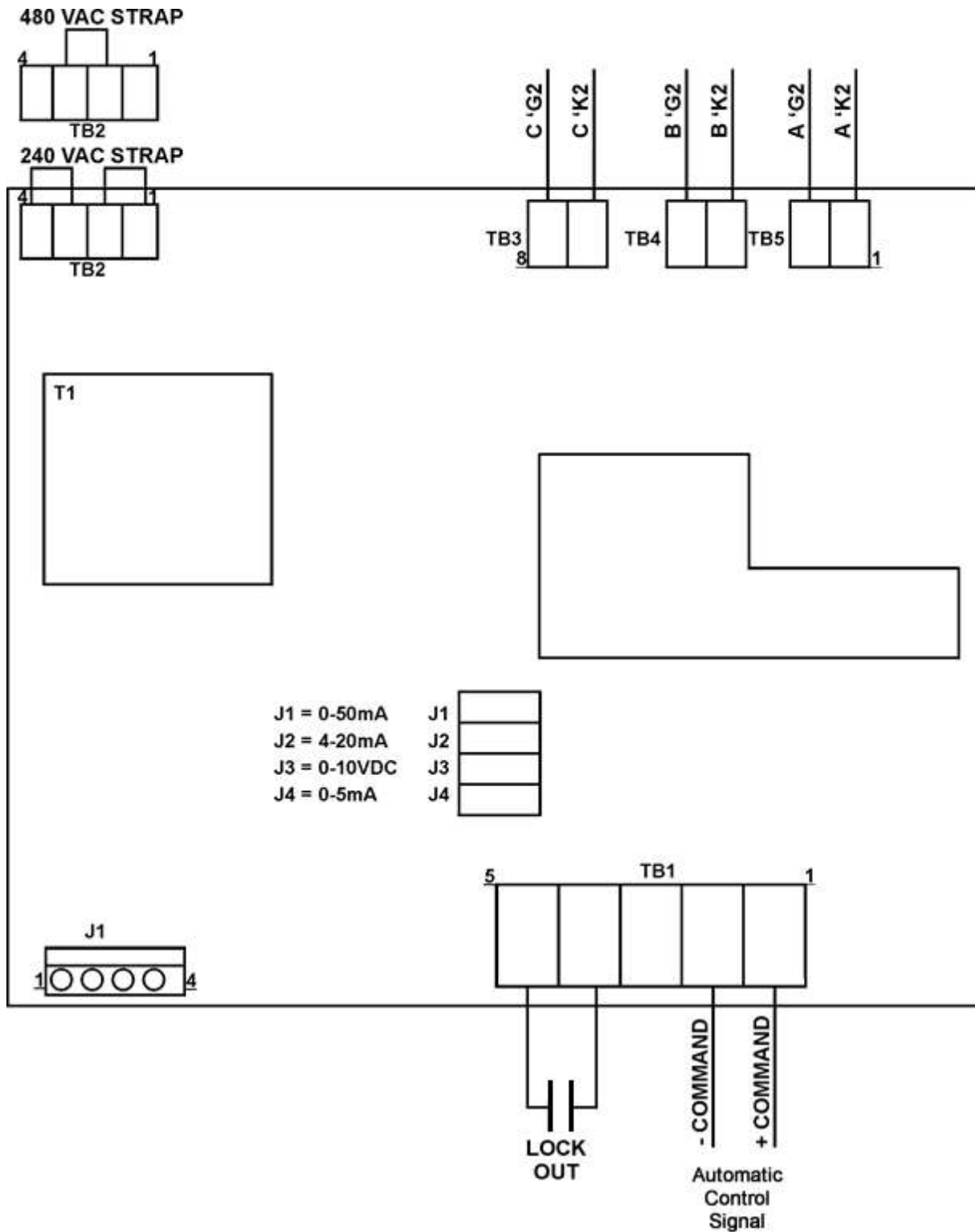


7.6 – PTR3000 Board

Note: These connections are to be used **ONLY** if direct control of the firing card is required. Using this control scheme will bypass all options.



7.7 – PTR6000-I Board



Chapter 8 - Troubleshooting

8.1-SCR Testing Procedure



Remove all power sources from the unit! Disconnect load and line leads. Observe all lock out / tag out practices.

Equipment required:

- Digital Volt / Ohm meter

8.1.1 First procedure

Remove line power from the unit and lock out. Disconnect the load and line leads. Note the type of color coding of the wires going to the firing boards. Phasetronics uses two possible configurations. The first configuration consists of 4 wires color coded black, yellow, grey and white. The second configuration consists of 4 wires color coded red, white, red, white. The testing procedure for SCRs is comprised of two separate tests.

The first procedure tests the anode to cathode integrity of the SCR by performing the following ohm checks:

+ Lead	- Lead	Good	Consult Factory
L1 Lug	T1 Lug	Greater than 10k ohm	Less than 10k ohm
L2 Lug	T2 Lug	Greater than 10k ohm	Less than 10k ohm
L3 Lug	T3 Lug	Greater than 10k ohm	Less than 10k ohm

8.1.2 Second procedure

The second procedure tests the Gate to Cathode integrity of each SCR. Ohm each Black & Yellow pair of wires, then ohm each Gray and White pair of wires. Compare your readings to the information in Fig 10 below. For units with six sets of Red/White wires, ohm each set of Red/White wires and compare your readings to Fig 10 below.

For wire that is color coded black, yellow, gray and white			
+ Lead	- Lead	Good	Bad
Black	Yellow	Between 5 and 32 ohm	Less than 5 or greater than 32 ohm
Gray	White	Between 5 and 32 ohm	Less than 5 or greater than 32 ohm
For wire that is color coded red, white, red and white			
+ Lead	- Lead	Good	Bad
Red	White	Between 5 and 32 ohm	Less than 5 or greater than 32 ohm
Red	White	Between 5 and 32 ohm	Less than 5 or greater than 32 ohm

Figure 10

Note: If any of the above readings are out of specification, replace the faulty SCR.

8.2 - Replacing Printed Circuit Boards

The printed circuit boards are not intended to be field repaired. If a board is found to be faulty, the entire board should be replaced.

Important! Use ESD Precautions any time you replace circuit boards.

1. Remove all power and lock out
2. Option Card replacement.
 - 2.1. Disconnect the Red plug on J1.
 - 2.2. Note and mark the locations of all potentiometers.
 - 2.3. Label all wires to each Terminal block being used.
 - 2.4. Disconnect all wires connected to the option card.
 - 2.5. Using a Phillips screwdriver, remove the four mounting screws.
 - 2.6. Remove the defective option card.
 - 2.7. Install the new option card
 - 2.8. Install the 4 mounting screws and tighten to 16in lbs.
 - 2.9. Reconnect the tagged wire to their respective terminal block locations.
 - 2.10. Preset all potentiometers the same as the previous option card.
 - 2.11. Reconnect the Red plug on J1.
 - 2.12. Go thru Start up procedures in section 6.
3. Trigger Card Replacement for 25-75A units.
 - 3.1. Remove all power and lockout.
 - 3.2. Label all wires connected to each board in the unit before removing any PCBs.
 - 3.3. Remove option card using steps 2.1 thru 2.6.
 - 3.4. Disconnect the four position red plug connected to the PTR6000-I board at J1.
 - 3.5. Loosen the six terminal block screws at TB3 on the PTR6000-I and carefully pull out the wires.
 - 3.6. Remove the two standoffs and two Phillips screws that mount the PTR6000-I board.
 - 3.7. Remove the PTR6000-I board.
 - 3.8. Loosen all terminal block screws on the PTR3000 board and carefully pull out the wires.
 - 3.9. Remove the standoffs and Phillips screws that mount the PTR3000 board.
 - 3.10. Remove the PTR3000 board from the heat sink assembly.
 - 3.11. Install the new PTR3000 onto the heat sink and fast with the standoffs and screws.
 - 3.12. Reinstall the wires and the J1 connector to the PTR3000 that were disconnected earlier.
 - 3.13. Install the PTR6000-I card onto the standoffs that mount the PTR3000.
 - 3.14. Reconnect the wires and J1 connector to the PTR6000-I that were removed earlier.
 - 3.15. Reinstall the option card using steps 2.7 thru 2.11.
 - 3.16. Verify all connections are correct and secure.
 - 3.17. Go thru Start Up procedures in section 6 as necessary.
4. Trigger Card replacement for 110 thru 600A units.
 - 4.1. Remove all power and lockout.
 - 4.2. Label all wires connected to each board in the unit before removing any PCBs..
 - 4.3. Remove option card if needed using steps 2.1 thru 2.6.
 - 4.4. Disconnect the four position red plug connected to the PTR6000-I board at J1.
 - 4.5. Loosen the six terminal block screws at TB3 on the PTR6000-I and carefully pull out the wires.
 - 4.6. Remove the Phillips screws that mount the PTR6000-I board.

- 4.7. Remove the PTR6000-I board.
- 4.8. Loosen all terminal block screws on the PTR3000 board and carefully pullout the wires.
- 4.9. Remove the standoffs and Phillips screws that mount the PTR3000 board.
- 4.10. Remove the PTR3000 board from the heat sink assembly.
- 4.11. Install the new PTR3000 onto the heat sink and fast with the standoffs and screws.
- 4.12. Reinstall the wires and the six position J1 connector to the PTR3000 that were disconnected earlier.
- 4.13. Install the PTR6000-I card onto the standoffs that mount the PTR3000.
- 4.14. Reconnect the wires and J1 connector to the PTR6000-I that were removed earlier.
- 4.15. Reinstall the option card if needed using steps 2.7 thru 2.11.
- 4.16. Verify all connections are correct and secure.
- 4.17. Go thru Start Up procedures in section 6 as necessary.

8.3 Replacing SCR Devices

The SCRs utilized in the **36P1 Series** are not field serviceable. If you have determined a failed SCR has occurred, please contact the Phasetronics Return Material Department for a return Material Authorization Request Form or a factory authorized repair center for assistance.

8.4 Bench Calibration Procedure

All 36P1 units are factory calibrated for 0 to 100% proportional control. The following procedures can be used to restore the factory alignment if you encounter a situation where all the potentiometers on the 36P1 have been misadjusted due to field calibration attempts and normal control of the unit has been lost.

Equipment and Items required:

1. Digital Volt/Ohm Meter
2. Linear Resistance Taper Potentiometer. 10K ohm, 2 watt
3. Automatic signal Generator: 4 – 20mA
4. Small Flat Blade Screw Driver.
5. Dummy load capable of the units rated voltage.

Example: Use 9pcs, 100W, 120v incandescent lamps connected three in series per phase, in a WYE configuration.

Lamps are preferred to provide visual confirmation but are not mandatory. Any resistive load that is capable of the unit's voltage is acceptable.

8.4.1 Basic Calibration Option B

1. Connect the line power and dummy load per section 4.1
2. Connect the manual potentiometer and Automatic control signal per section 4.2.
3. Verify the manual pot and automatic signal are at minimum.
4. Preset R12 fully counterclockwise.
5. Preset R15 fully counter clockwise.
6. Preset R31 fully counter clockwise.
7. Set the digital volt meter to AC volts and connect it to the T1 and T2 terminals.
8. Energize the unit and verify there is a minimal output voltage from the unit.
9. Adjust "Offset" pot R12 slowly clockwise until the output is offset to basically zero volts.
10. Increase the 10 K Manual Potentiometer to maximum.
11. Adjust the Feedback Pot R31 slowly clockwise to increase the output voltage to max.
12. Adjust R31 slightly counter clockwise to reduce the max output voltage by about 1 volt AC.
13. Slowly decrease the manual pot to min and verify the unit output follows the command.
14. Slowly swing the manual pot from min to max and back to verify the unit follows.
15. Increase the automatic signal (4-20ma) to maximum.
16. Slowly adjust the "Gain" pot R15 clockwise to increase the units' output to maximum.
17. Decrease the automatic signal to 90% and verify the output voltage dropped as well.
18. If the output voltage did not decrease, repeat steps 14 thru 16.
19. Decrease the automatic signal to zero (0%)
20. Verify the units output voltage is again at the minimum (Zero) level.
21. If needed adjust the offset pot R12 slightly clockwise to "zero" the units' output.
22. Monitor the output voltage and verify the automatic signal has correct control by spanning it from minimum to maximum.

23. Adjust the manual pot to maximum.
24. Remove power from the unit and wait 5 seconds.
25. Apply power and verify the soft start is ramping the output voltage.
26. Remove power and adjust R46 as needed for appropriate ramp rate.
27. Repeat steps 24 thru 26 as needed to adjust ramp rate.
28. Reduce all command signals to minimum and remove power from the unit.
29. Disconnect all control signals and metering devices.
30. The basic calibration is now completed.
31. END PROCEDURE.

8.4.2 Calibration with Option KB

1. Connect the line power and dummy load per section 4.1
2. Connect the manual potentiometer and Automatic control signal per section 4.2.
3. Verify the manual pot and automatic signal are at minimum.
4. Preset option board pots P1 midrange, P2 fully Clockwise and P3 fully counter clockwise.
5. Set the digital volt meter to AC volts and connect it to the T1 and T2 terminals.
6. Energize the unit
7. Adjust pot P1 slowly clockwise until the unit has output.
8. Monitor the output voltage and adjust P1 slowly counter clockwise to zero the unit output.
9. Slowly increase the manual pot to max and verify the unit output follows the command.
10. Monitor the output voltage and adjust pot P3 counter clockwise to increase the unit output to maximum.
11. Slowly decrease the manual pot to minimum.
12. Adjust P1 as needed to zero the units output again.
13. Increase the manual pot to max and verify the unit output follows the command.
14. Decrease the manual pot slightly and verify the unit output follows. If not, repeat steps 9 thru 11.
15. Decrease the manual pot to minimum.
16. Increase the automatic signal (4-20ma) to maximum.
17. Slowly Adjust the P2 Gain pot clockwise to increase the units output to maximum.
18. Slowly adjust P2 counter clockwise to reduce the output voltage by about 1 volt AC.
19. Decrease the automatic signal to 90% and verify the output voltage dropped as well.
20. Decrease the automatic signal to zero (0%)
21. Verify the units output voltage is again at the minimum level.
22. If needed adjust the offset pot P1, accordingly to "zero" the units output.
23. Monitor the output voltage and verify the manual pot has correct control by spanning it from minimum to maximum and back to minimum.
24. Monitor the output voltage and verify the automatic signal has correct control by spanning it from minimum to maximum and back to minimum.
25. Adjust the manual pot to maximum.
26. Remove power from the unit and wait 5 seconds.
27. Apply power and verify the soft start is ramping the output voltage.
28. Remove power and adjust P5 clockwise to increase or counter clockwise to decrease the soft start ramp time as needed.
29. Repeat steps 27 & 28 as needed to dial in the desired Power On Soft Start Time.
30. Reduce all command signals to minimum and remove power from the unit.
31. Disconnect all control signals and metering devices.
32. The basic calibration is complete.
33. END PROCEDURE

Warranty Information

Phasetronics warrants its products to be free from defects in material and/or workmanship for a period of one year from date of installation, to a maximum of 18 months from the date of shipment as indicated by the unit's date code. The Company reserves the right to repair or replace any malfunctioning units under warranty at their option. All warranty repairs must be performed by the Company factory or on site by a factory authorized service firms or personnel approved by the Company.

Solid state controls have different operation characteristics from those of electro-mechanical equipment. Because of these differences and the wide variety of applications for solid state controls, each application designer must verify that the solid state equipment is acceptable for his application. In no event will Phasetronics be responsible or liable for indirect or consequential damages resulting from the use or application of this equipment. The diagrams and illustrations in this document are included solely for illustrative purposes. Because of the number of different applications, Phasetronics cannot be responsible or liable for actual use based on the examples or diagrams.

California Customers:

California Proposition 65 Warning

WARNING: this product and associated accessories may contain chemicals known to the State of California to cause cancer, birth defects, or other reproductive harm. For more information visit <https://p65warnings.ca.gov>