

## Flameless Electric Air Heaters: Triple Pass Accessories

### Pressure Switch



**FOR 10" EXCHANGER (NOT SHOWN) -**  
ORDER SWITCH #004-10033

Adjustable: 0-30 psi Proof: 45 psi

**FOR 13" EXCHANGER (SHOWN) -**  
ORDER SWITCH #004-10034

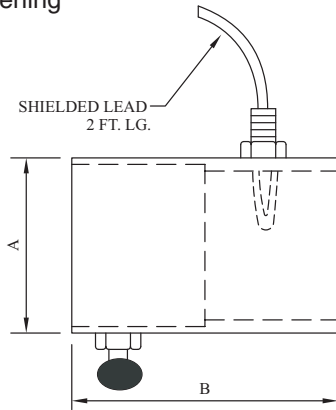
Adjustable: 0-2.9 psi Proof: 5 psi

**RELAY #004-10035**

Required for loads 15-25 amps

### Thermocouple Assembly

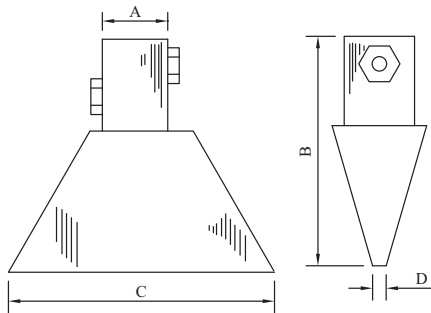
Straight Opening



Exchanger	A	B	Part Number including 'K' Thermocouple
10"	3/4"	1-1/2"	004-10036
13"	1-1/2"	1-1/2"	004-10038

**'K' THERMOCOUPLE PROBE ONLY - #004-10037**

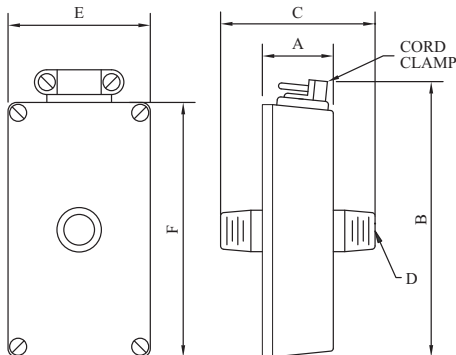
### Flare



Exchanger		A	B	C	D	Part Number
10"	Flare Only	3/4"	3"	2-1/2"	3/32"	004-10044
10"	Flare & TC Port	3/4"	3"	2-1/2"	3/32"	004-10045
13"	Flare Only	1-1/2"	4-3/16"	4"	1/4"	004-10046
13"	Flare & TC Port	1-1/2"	4-3/16"	4"	1/4"	004-10047

**'K' THERMOCOUPLE PROBE ONLY - #004-10037**

### Exchanger Junction Box Assembly



Exchanger	A	B	C	D	E	F	Part Number
10"	1-7/32"	4-3/8"	2-1/2"	3/8"	2-3/8"	4-3/8"	004-10042
13"	2-3/16"	4-11/16"	4-1/2"	3/4"	3-11/16"	4-11/16"	004-10043

