

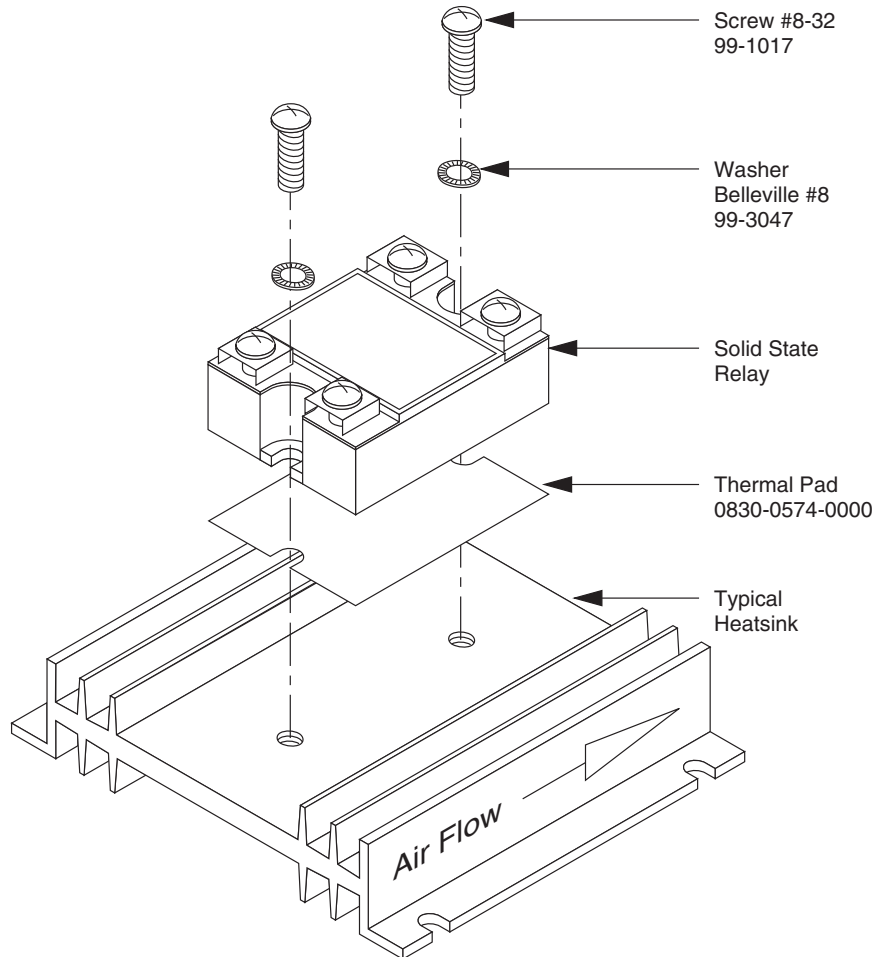
# Solid State Relay

## Mounting and Installation Instructions

### PROCEDURE:

1. Surface must be flat and clean.
2. Use thermal pad or a thin coat of Dow DC-340 thermal joint compound between the relay and heatsink.
3. Mount to heatsink or suitable aluminum or copper plate.
4. Use Belleville (spring) washers and tighten alternately until spring is slightly deflected. (approximately 6 inch pounds).
5. Heatsink should be mounted so that fins are vertical.
6. Ambient temperature not to exceed 122°F / 50°C when mounted to suitable heatsink.
7. Do not mount SSR's on panels that are painted, plastic, steel, or stainless steel. These materials will not remove the heat generated by the SSR.
8. Torque 6-32 screws for signal wires to 10 in-lbs.
9. Torque screws for power connections to 20 in-lbs.

See the reverse side for typical SSR wiring diagrams.

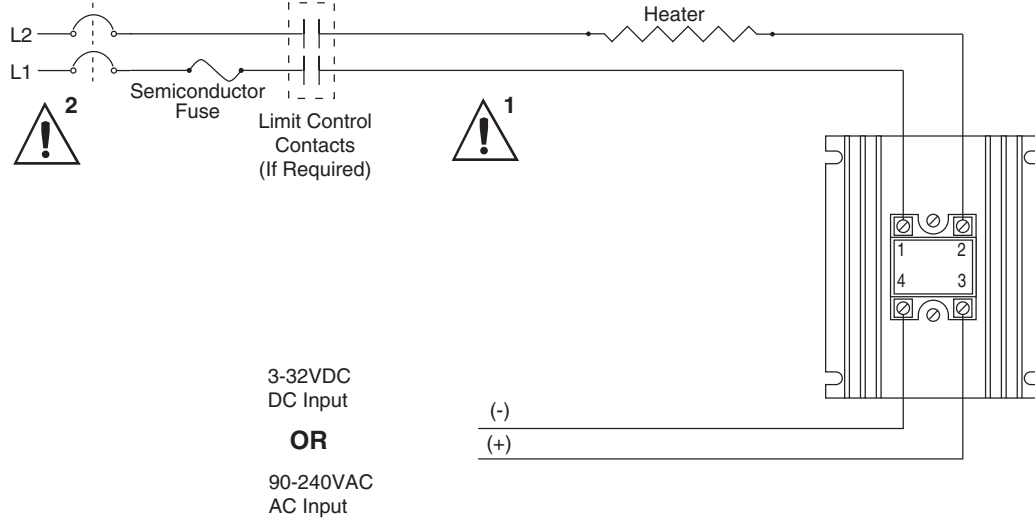


Made in the U.S.A.



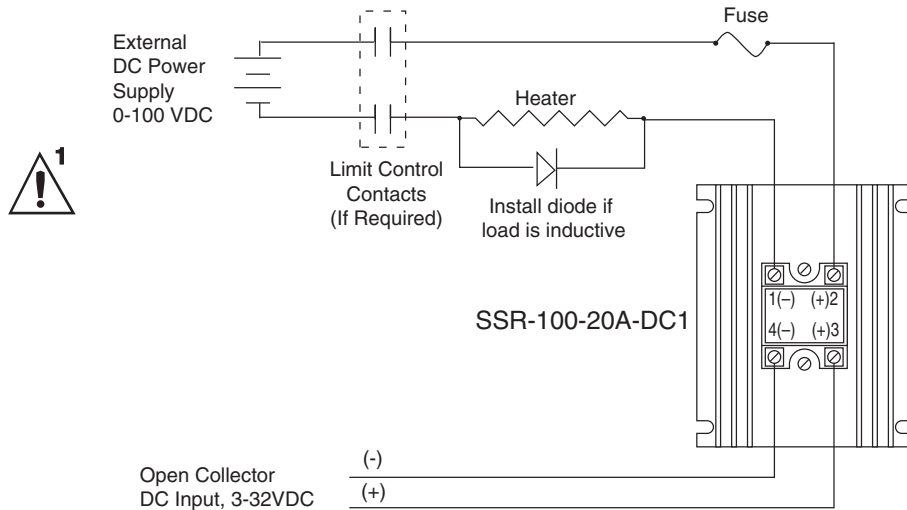
January 2011

### DC or AC Input Solid State Relay Wiring Diagram



**WARNING:**  
Wiring must conform to National Electric Code (NEC) safety standards, as well as locally applicable codes. Failure to do so could result in personal injury or death.

### DC Input, DC Output Solid State Relay Wiring Diagram



**WARNING:**  
Wiring examples show L2 in 240VAC or 480VAC configuration. In 120VAC applications, L2 is neutral and must not be fused or switched. Failure to follow this guideline could result in personal injury or death.

### 3 Phase, 2 leg Solid State Relay Wiring Diagram

