

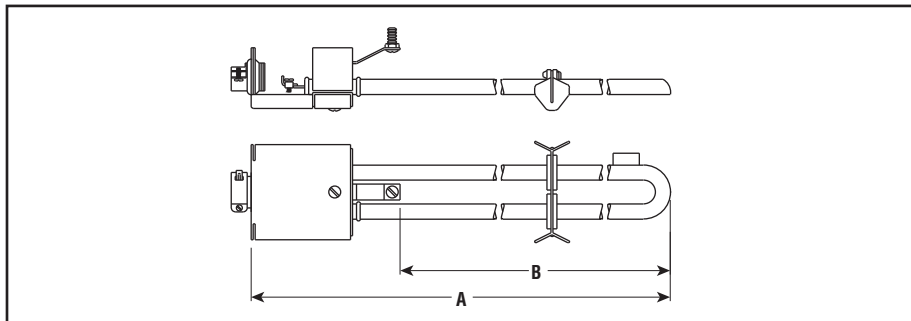
# RUTU

## Single Hairpin Element Radiant Heater Assembly



- 3.66 kW/Ft<sup>2</sup>
- 0.8 - 3.6 kW
- 120, 208, 240, 275 and 480 Volt
- 3/8" Dia. INCOLOY® Sheath Elements (type UTU)
- 1500°F Max. Sheath Temp.

### Dimensions (Inches)



### Applications

- High Intensity Applications
- Fast-Moving Webs and other applications where high temperatures will not damage materials
- Roll Heating
- Shrink Fitting
- Preheat Glass for Polishing, Drying, Sterilizing

### Features

**Broad Range of Sizes** — Used alone or in combination RTU element assemblies offer same range of dimensions as type U-RAD.

**Easy Assembly** — Units are supplied with element support clips and support bolt and nut (requires drilled hole through reflector and housing) for changing U-RAD heating lengths and for replacing U-RAD elements. RUTU is also used by itself as a radiant heating device by many Chromalox customers.

### Construction

**Enclosed Chromalox Alloy-Sheath Tubular Heating Element** is completely isolated and supported on secondary insulation for improved electrical safety. Designed for long life, the element is more resistant to hard blows than quartz lamp or tube and open coil types.

### Specifications and Ordering Information

kW	Volts	Length (In.)		Model	Stock	PCN	Replacement Elements <sup>1</sup>	Wt. (Lbs.)
		Overall A	Heated B					
0.8	120	12-1/4	7-1/2	RUTU-2	S	111616	UTU-2	2
0.8	208	12-1/4	7-1/2	RUTU-2V	NS	111624	UTU-2V	2
0.8	240	12-1/4	7-1/2	RUTU-2	S	111632	UTU-2	2
0.8	275	12-1/4	7-1/2	RUTU-2V	NS	111640	UTU-2V	2
1.1	120	15-5/16	10-5/16	RUTU-3	NS	111659	UTU-3	3
1.1	208	15-5/16	10-5/16	RUTU-3V	NS	111667	UTU-3V	3
1.1	240	15-5/16	10-5/16	RUTU-3	S	111675	UTU-3	3
1.1	275	15-5/16	10-5/16	RUTU-3V	NS	111683	UTU-3V	3
1.8	208	23-1/8	18-3/8	RUTU-4V	NS	111704	UTU-4V	4
1.8	240	23-1/8	18-3/8	RUTU-4	NS	111691	UTU-4	4
1.8	275	23-1/8	18-3/8	RUTU-4V	NS	111712	UTU-4V	4
1.8	480	23-1/8	18-3/8	RUTU-4	S	114569	UTU-4	4
2.5	208	30-7/16	25-11/16	RUTU-5V	NS	111739	UTU-5V	5
2.5	240	30-7/16	25-11/16	RUTU-5	NS	111720	UTU-5	5
2.5	275	30-7/16	25-11/16	RUTU-5V	NS	111755	UTU-5V	5
2.5	480	30-7/16	25-11/16	RUTU-5	S	111747	UTU-5	5
3	208	36-3/8	31-5/8	RUTU-6V	NS	111771	UTU-6V	6
3	240	36-3/8	31-5/8	RUTU-6	NS	111763	UTU-6	6
3	275	36-3/8	31-5/8	RUTU-6V	NS	111798	UTU-6V	6
3	480	36-3/8	31-5/8	RUTU-6	S	111780	UTU-6	6
3.6	208	42-3/8	37-5/8	RUTU-7V	NS	111819	UTU-7V	7
3.6	240	42-3/8	37-5/8	RUTU-7	NS	111800	UTU-7	7
3.6	275	42-3/8	37-5/8	RUTU-7V	NS	111835	UTU-7V	7
3.6	480	42-3/8	37-5/8	RUTU-7	NS	111827	UTU-7	7

**Stock Status:** S = stock NS = non-stock

**To Order**—Specify model, PCN, kW, volts, quantity and replacement elements (if needed).

1. Refer to Tubular Heaters section.